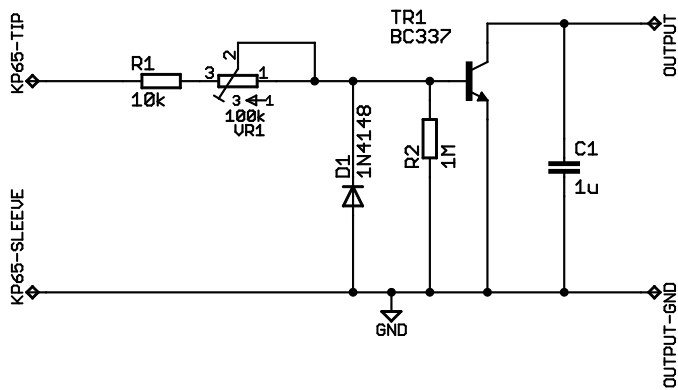


For non-commercial purposes only  
Provided "as is" without warranty of any kind



© Key Design Electronics Ltd.

TITLE: Rock Band interface (maybe!)

Document Number:  
Rock Band interface B

REV:  
B

Date: 07/01/2008 09:24:01

Sheet: 1/1