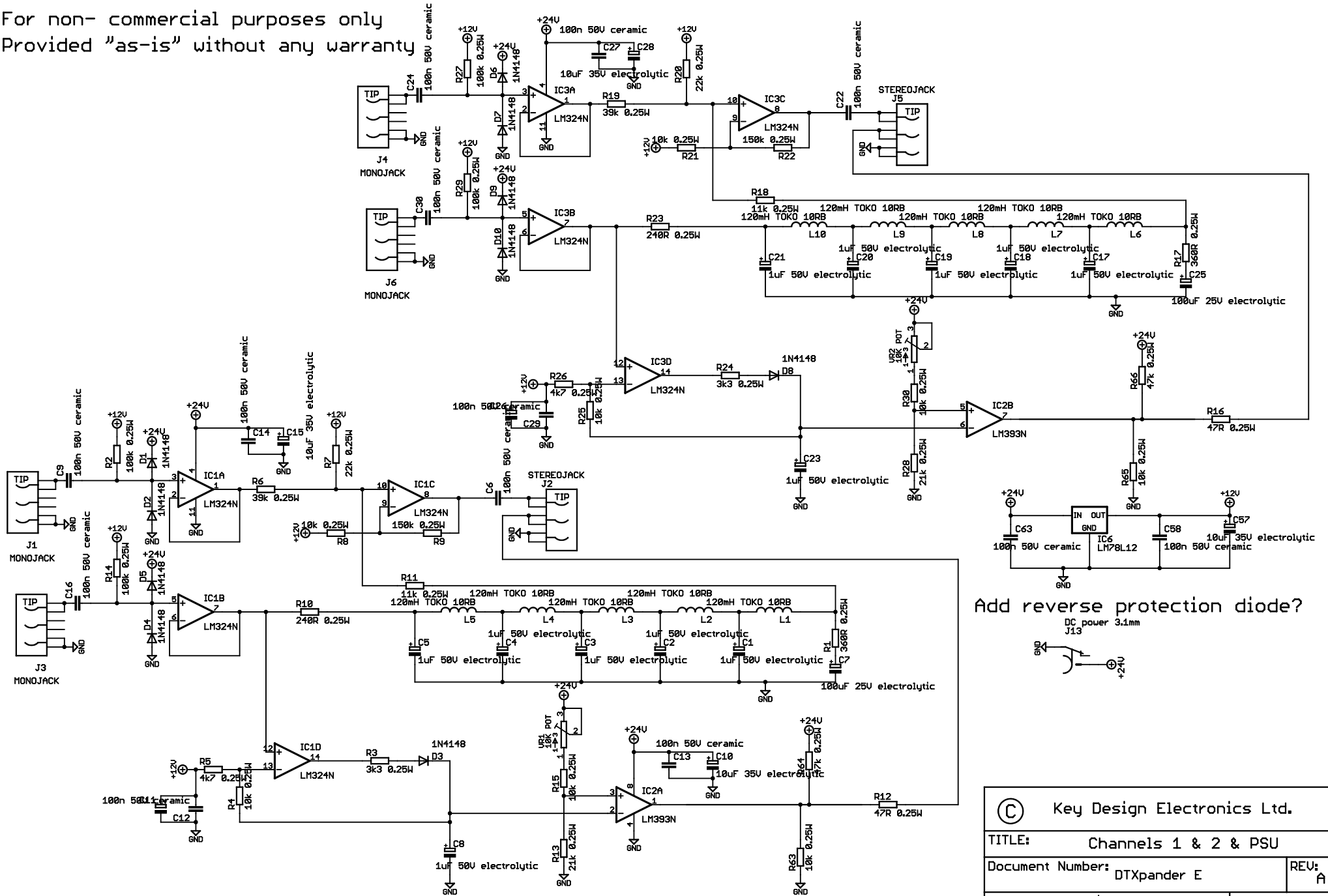
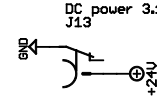


For non-commercial purposes only
 Provided "as-is" without any warranty



Add reverse protection diode?



© Key Design Electronics Ltd.	
TITLE: Channels 1 & 2 & PSU	
Document Number: DTXpander E	REV: A
Date: not saved!	Sheet: 1/2