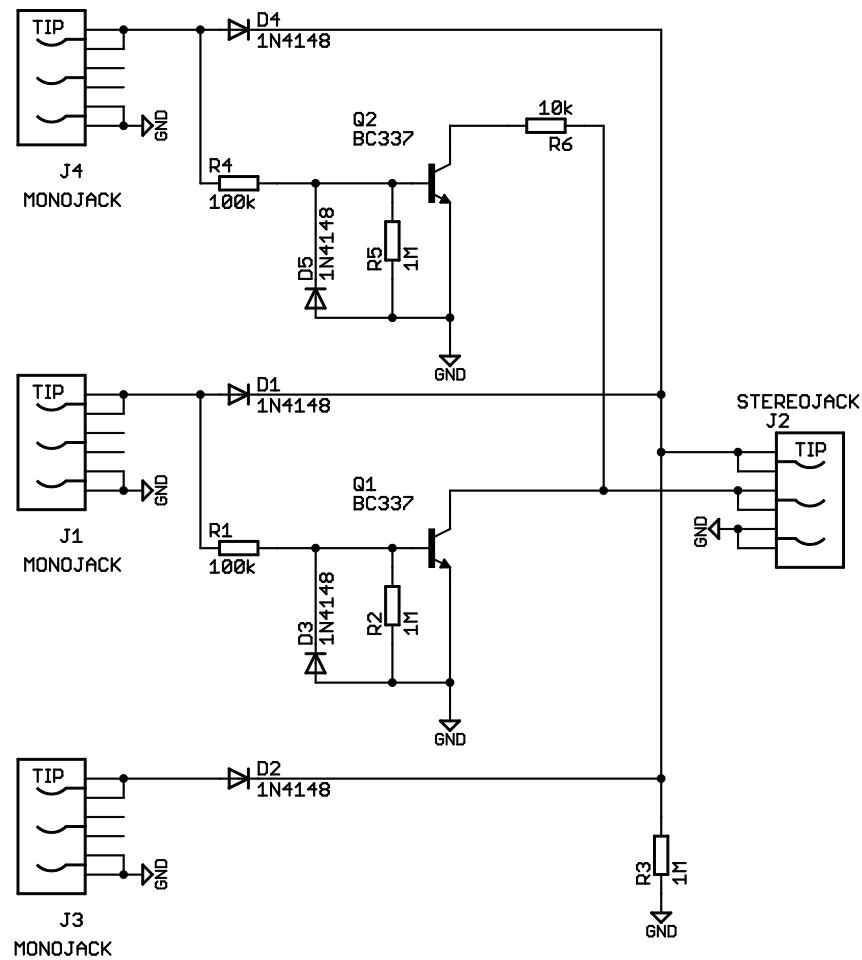


Not for commercial use

This circuit is provided without any warranty as to its suitability for any purpose - use it at your own risk.



Key Design Electronics Ltd.

TITLE:

Document Number:
DTXpander 3 zone

REV:
A

Date: 30/01/2006 16:56:53

Sheet: 1/1