

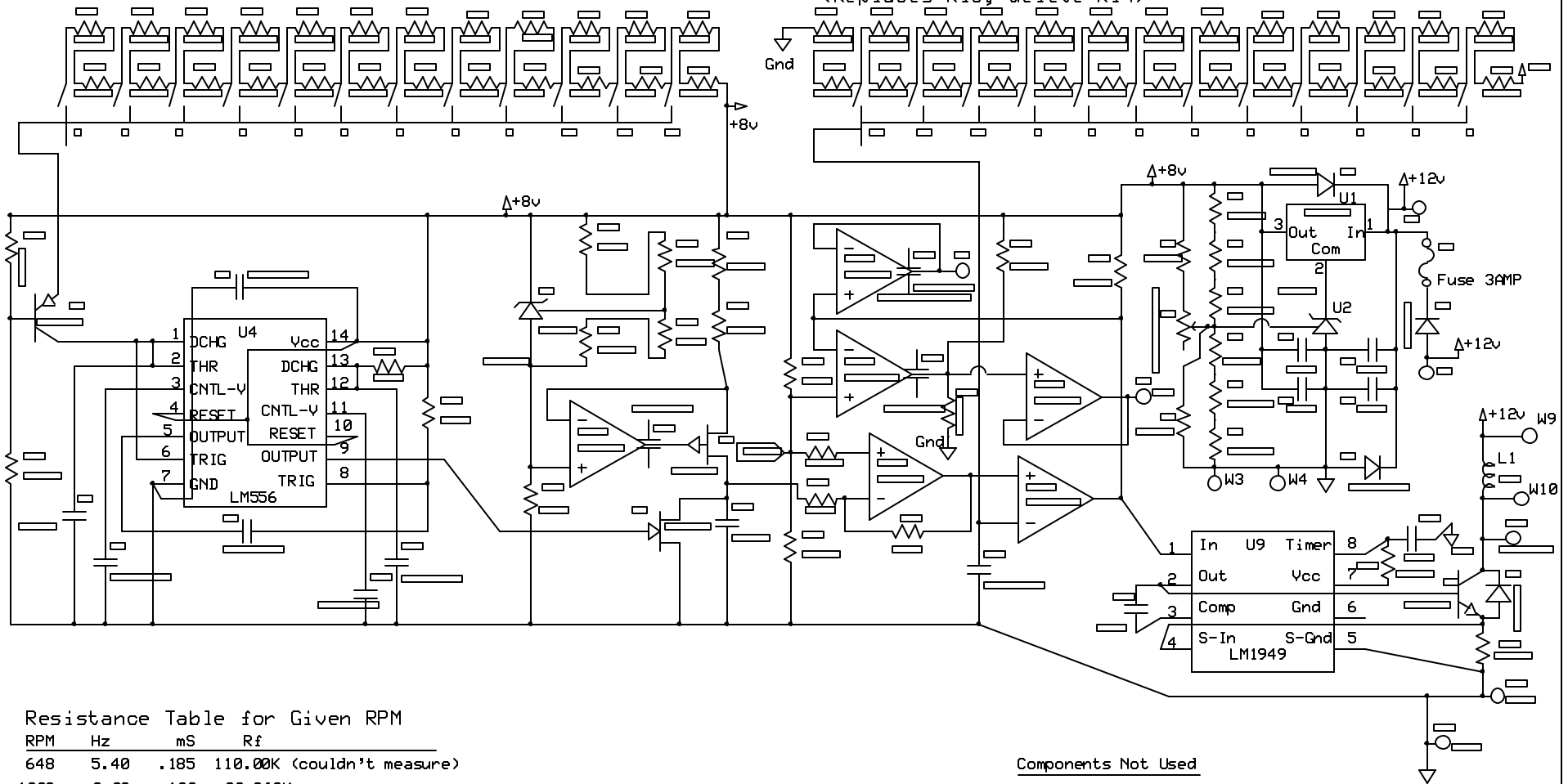
Signal Generator

Simulates 648 - 8,000 RPM and 1mS to 40 mS Pulse Width's

12-Pos Rotary Switch to Set Exact Pulse Length

Rf - 12-Pos Rotary Switch - Controls Frequency

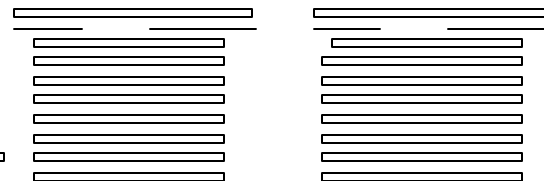
(Replaces R15, delete R14)



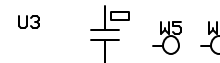
Resistance Table for Given RPM

RPM	Hz	mS	Rf
648	5.40	.185	110.00K (couldn't measure)
1000	8.33	.120	88.260K
2000	16.67	.060	44.080K
3000	25.00	.040	28.740K
4000	33.33	.030	21.490K
5000	41.67	.024	16.920K
6000	50.00	.020	14.290K
7000	58.33	.017	12.235K
8000	66.67	.015	10.535K

Voltage to get PW at U7-1 "--"



Components Not Used



Make Your Own Performance

Signal Generator

Daniel Nicoson

www.myo-p.com

1/1/2008