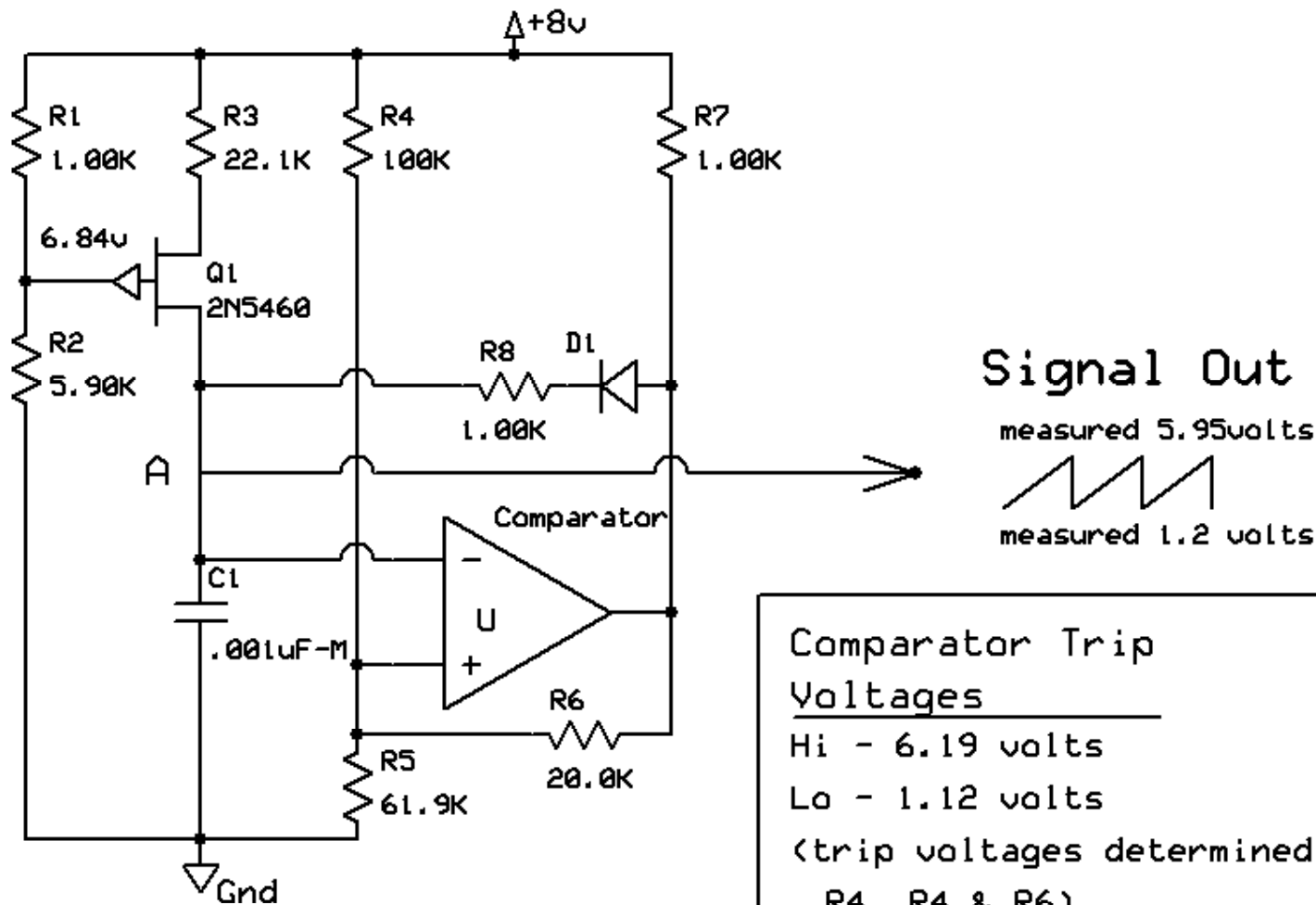


Sawtooth Oscillator



Comparator Trip Voltages

Hi - 6.19 volts

Lo - 1.12 volts

(trip voltages determined by R4, R4 & R6)

R1, R2, R3 & C1 set frequency and were adjusted to acheive linear voltage trace

These values were tested and measured.

Dan Nicoson 3-2-2007