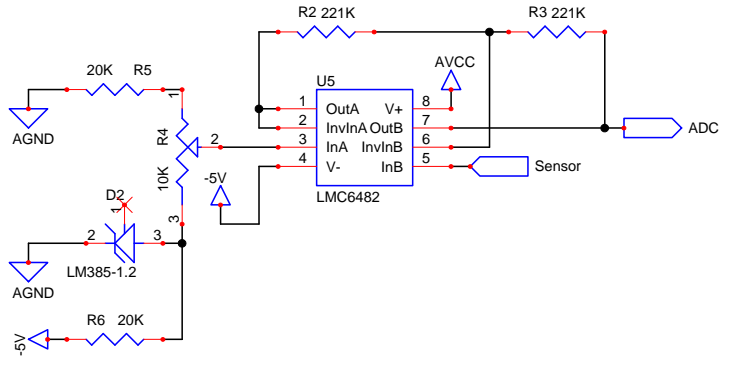


Set offset so 0G = +1/2 reference voltage



Pushbuttons use internal 10K pullups on inputs

Pat Meloy			
Title:	Vibration monitor base unit		
Size:	A	Project: Vibration Monitor	File: Root.sch
Date:	April 3, 2004	Sheet: 1 of 2	Revision: 1.0