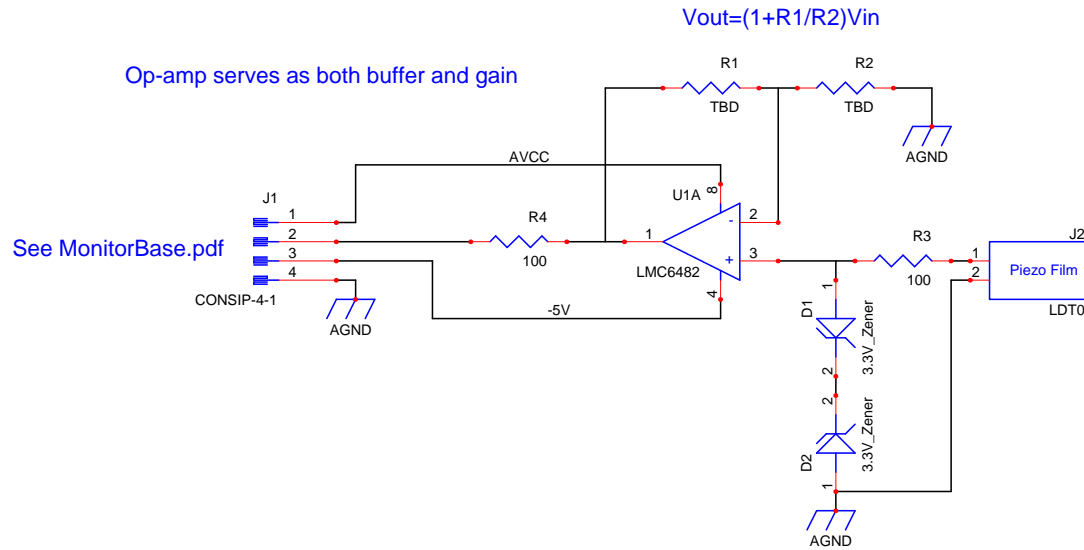


Being primarily for machinery bearings, anything over 3G would be readily apparent without a monitor.

Useful output would be -4G to +4G (-200+200 mV) so gain is set to  $V_{Ref}/0.400V$ .



Pat Meloy			
Title:	Vibration sensor		
Size:	A	Project: Vibration Monitor	File: Root.sch
Date:	April 2, 2004	Sheet: 1 of 2	Revision: 1.0