

Y23 Range Transformers - 15VA-1000VA

Y23 Range Transformer Specifications - 15VA

| Load (VA) | Secondary Voltage (V) | Secondary Current (A) | Regulation (Typical) | Diameter (mm/inches) | Height (mm/inches) | Weight (Kg/Pounds) | Temperature Rise (° C) | AVEL P/N |
|-----------|-----------------------|-----------------------|----------------------|----------------------|--------------------|--------------------|------------------------|----------|
| 15 | 6 + 6 | 1.25 | 13.7 | 60 / 2.4 | 28 / 1.1 | 0.3 / .7 | 26 | Y23600 0 |
| 15 | 9 + 9 | 0.83 | 13.7 | 60 / 2.4 | 28 / 1.1 | 0.3 / .7 | 26 | Y23600 1 |
| 15 | 12 + 12 | 0.63 | 13.7 | 60 / 2.4 | 28 / 1.1 | 0.3 / .7 | 26 | Y23600 2 |
| 15 | 15 + 15 | 0.50 | 13.7 | 60 / 2.4 | 28 / 1.1 | 0.3 / .7 | 26 | Y23600 3 |
| 15 | 18 + 18 | 0.42 | 13.7 | 60 / 2.4 | 28 / 1.1 | 0.3 / .7 | 26 | Y23600 4 |
| 15 | 22 + 22 | 0.34 | 13.7 | 60 / 2.4 | 28 / 1.1 | 0.3 / .7 | 26 | Y23600 5 |
| 15 | 25 + 25 | 0.30 | 13.7 | 60 / 2.4 | 28 / 1.1 | 0.3 / .7 | 26 | Y23600 6 |
| 15 | 30 + 30 | 0.25 | 13.7 | 60 / 2.4 | 28 / 1.1 | 0.3 / .7 | 26 | Y23600 7 |

Y23 Range Transformer Specifications - 30VA

| Load (VA) | Secondary Voltage (V) | Secondary Current (A) | Regulation (Typical) | Diameter (mm/inches) | Height (mm/inches) | Weight (Kg/Pounds) | Temperature Rise (° C) | AVEL P/N |
|-----------|-----------------------|-----------------------|----------------------|----------------------|--------------------|--------------------|------------------------|----------|
| 30 | 6 + 6 | 2.50 | 13.7 | 67 / 2.6 | 28 / 1.1 | 0.4 / .88 | 43 | Y23610 0 |
| 30 | 9 + 9 | 1.67 | 13.7 | 67 / 2.6 | 28 / 1.1 | 0.4 / .88 | 43 | Y23610 1 |
| 30 | 12 + 12 | 1.25 | 13.7 | 67 / 2.6 | 28 / 1.1 | 0.4 / .88 | 43 | Y23610 2 |
| 30 | 15 + 15 | 1.00 | 13.7 | 67 / 2.6 | 28 / 1.1 | 0.4 / .88 | 43 | Y23610 3 |
| 30 | 18 + 18 | 0.83 | 13.7 | 67 / 2.6 | 28 / 1.1 | 0.4 / .88 | 43 | Y23610 4 |
| 30 | 22 + 22 | 0.68 | 13.7 | 67 / 2.6 | 28 / 1.1 | 0.4 / .88 | 43 | Y23610 5 |
| 30 | 25 + 25 | 0.60 | 13.7 | 67 / 2.6 | 28 / 1.1 | 0.4 / .88 | 43 | Y23610 6 |
| 30 | 30 + 30 | 0.50 | 13.7 | 67 / 2.6 | 28 / 1.1 | 0.4 / .88 | 43 | Y23610 7 |

Y23 Range Transformer Specifications - 50VA

| Load (VA) | Secondary Voltage (V) | Secondary Current (A) | Regulation (Typical) | Diameter (mm/inches) | Height (mm/inches) | Weight (Kg/Pounds) | Temperature Rise (° C) | AVEL P/N |
|-----------|-----------------------|-----------------------|----------------------|----------------------|--------------------|--------------------|------------------------|----------|
| 50 | 6 + 6 | 4.17 | 11.8 | 76 / 3.0 | 30 / 1.2 | 0.6 / 1.3 | 48 | Y23620 0 |
| 50 | 9 + 9 | 2.78 | 11.8 | 76 / 3.0 | 30 / 1.2 | 0.6 / 1.3 | 48 | Y23620 1 |
| 50 | 12 + 12 | 2.08 | 11.8 | 76 / 3.0 | 30 / 1.2 | 0.6 / 1.3 | 48 | Y23620 2 |
| 50 | 15 + 15 | 1.67 | 11.8 | 76 / 3.0 | 30 / 1.2 | 0.6 / 1.3 | 48 | Y23620 3 |
| 50 | 18 + 18 | 1.39 | 11.8 | 76 / 3.0 | 30 / 1.2 | 0.6 / 1.3 | 48 | Y23620 4 |
| 50 | 22 + 22 | 1.14 | 11.8 | 76 / 3.0 | 30 / 1.2 | 0.6 / 1.3 | 48 | Y23620 5 |
| 50 | 25 + 25 | 1.00 | 11.8 | 76 / 3.0 | 30 / 1.2 | 0.6 / 1.3 | 48 | Y23620 6 |
| 50 | 30 + 30 | 0.83 | 11.8 | 76 / 3.0 | 30 / 1.2 | 0.6 / 1.3 | 48 | Y23620 7 |
| 50 | 55 + 55 | 0.45 | 11.8 | 76 / 3.0 | 30 / 1.2 | 0.6 / 1.3 | 48 | Y23620 8 |

Y23 Range Transformer Specifications - 63VA

| Load (VA) | Secondary Voltage (V) | Secondary Current (A) | Regulation (Typical) | Diameter (mm/inches) | Height (mm/inches) | Weight (Kg/Pounds) | Temperature Rise (° C) | AVEL P/N |
|-----------|-----------------------|-----------------------|----------------------|----------------------|--------------------|--------------------|------------------------|----------|
| 63 | 9 + 9 | 3.50 | 11.1 | 85 / 3.4 | 30 / 1.2 | 0.7 / 1.6 | 48 | Y23630 0 |
| 63 | 12 + 12 | 2.63 | 11.1 | 85 / 3.4 | 30 / 1.2 | 0.7 / 1.6 | 48 | Y23630 1 |
| 63 | 15 + 15 | 2.10 | 11.1 | 85 / 3.4 | 30 / 1.2 | 0.7 / 1.6 | 48 | Y23630 2 |
| 63 | 18 + 18 | 1.75 | 11.1 | 85 / 3.4 | 30 / 1.2 | 0.7 / 1.6 | 48 | Y23630 3 |
| 63 | 22 + 22 | 1.43 | 11.1 | 85 / 3.4 | 30 / 1.2 | 0.7 / 1.6 | 48 | Y23630 4 |
| 63 | 25 + 25 | 1.26 | 11.1 | 85 / 3.4 | 30 / 1.2 | 0.7 / 1.6 | 48 | Y23630 5 |
| 63 | 30 + 30 | 1.05 | 11.1 | 85 / 3.4 | 30 / 1.2 | 0.7 / 1.6 | 48 | Y23630 6 |

Y23 Range Transformer Specifications - 80VA

| Load (VA) | Secondary Voltage (V) | Secondary Current (A) | Regulation (Typical) | Diameter (mm/inches) | Height (mm/inches) | Weight (Kg/Pounds) | Temperature Rise (° C) | AVEL P/N |
|-----------|-----------------------|-----------------------|----------------------|----------------------|--------------------|--------------------|------------------------|----------|
| 80 | 9 + 9 | 4.44 | 9.8 | 85 / 3.4 | 36 / 1.4 | 0.9 / 2.0 | 49 | Y23635 0 |
| 80 | 12 + 12 | 3.33 | 9.8 | 85 / 3.4 | 36 / 1.4 | 0.9 / 2.0 | 49 | Y23635 1 |
| 80 | 15 + 15 | 2.67 | 9.8 | 85 / 3.4 | 36 / 1.4 | 0.9 / 2.0 | 49 | Y23635 2 |
| 80 | 18 + 18 | 2.22 | 9.8 | 85 / 3.4 | 36 / 1.4 | 0.9 / 2.0 | 49 | Y23635 3 |
| 80 | 22 + 22 | 1.82 | 9.8 | 85 / 3.4 | 36 / 1.4 | 0.9 / 2.0 | 49 | Y23635 4 |
| 80 | 25 + 25 | 1.60 | 9.8 | 85 / 3.4 | 36 / 1.4 | 0.9 / 2.0 | 49 | Y23635 5 |
| 80 | 30 + 30 | 1.33 | 9.8 | 85 / 3.4 | 36 / 1.4 | 0.9 / 2.0 | 49 | Y23635 6 |
| 80 | 55 + 55 | 0.73 | 9.8 | 85 / 3.4 | 36 / 1.4 | 0.9 / 2.0 | 49 | Y23635 7 |
| 80 | 115 + 115 | 0.35 | 9.8 | 85 / 3.4 | 36 / 1.4 | 0.9 / 2.0 | 49 | Y23635 8 |

Y23 Range Transformer Specifications - 100VA

| Load (VA) | Secondary Voltage (V) | Secondary Current (A) | Regulation (Typical) | Diameter (mm/inches) | Height (mm/inches) | Weight (Kg/Pounds) | Temperature Rise (° C) | AVEL P/N |
|-----------|-----------------------|-----------------------|----------------------|----------------------|--------------------|--------------------|------------------------|----------|
| 100 | 9 + 9 | 5.56 | 8.0 | 85 / 3.4 | 41 / 1.6 | 1.1 / 2.4 | 49 | Y23640 8 |
| 100 | 12 + 12 | 4.17 | 8.0 | 85 / 3.4 | 41 / 1.6 | 1.1 / 2.4 | 49 | Y23640 0 |
| 100 | 15 + 15 | 3.33 | 8.0 | 85 / 3.4 | 41 / 1.6 | 1.1 / 2.4 | 49 | Y23640 1 |
| 100 | 18 + 18 | 2.78 | 8.0 | 85 / 3.4 | 41 / 1.6 | 1.1 / 2.4 | 49 | Y23640 2 |
| 100 | 22 + 22 | 2.27 | 8.0 | 85 / 3.4 | 41 / 1.6 | 1.1 / 2.4 | 49 | Y23640 3 |
| 100 | 25 + 25 | 2.00 | 8.0 | 85 / 3.4 | 41 / 1.6 | 1.1 / 2.4 | 49 | Y23640 4 |
| 100 | 30 + 30 | 1.67 | 8.0 | 85 / 3.4 | 41 / 1.6 | 1.1 / 2.4 | 49 | Y23640 5 |
| 100 | 115 + 115 | .43 | 8.0 | 85 / 3.4 | 41 / 1.6 | 1.1 / 2.4 | 49 | Y23640 7 |

Y23 Range Transformer Specifications - 120VA

| Load (VA) | Secondary Voltage (V) | Secondary Current (A) | Regulation (Typical) | Diameter (mm/inches) | Height (mm/inches) | Weight (Kg/Pounds) | Temperature Rise (° C) | AVEL P/N |
|-----------|-----------------------|-----------------------|----------------------|----------------------|--------------------|--------------------|------------------------|----------|
| 120 | 9 + 9 | 6.67 | 8.5 | 89 / 3.5 | 42 / 1.7 | 1.2 / 2.7 | 52 | Y23645 1 |
| 120 | 12 + 12 | 5.00 | 8.5 | 89 / 3.5 | 42 / 1.7 | 1.2 / 2.7 | 52 | Y23645 0 |
| 120 | 15 + 15 | 4.00 | 8.5 | 89 / 3.5 | 42 / 1.7 | 1.2 / 2.7 | 52 | Y23645 2 |
| 120 | 18 + 18 | 3.33 | 8.5 | 89 / 3.5 | 42 / 1.7 | 1.2 / 2.7 | 52 | Y23645 3 |
| 120 | 22 + 22 | 2.73 | 8.5 | 89 / 3.5 | 42 / 1.7 | 1.2 / 2.7 | 52 | Y23645 4 |
| 120 | 25 + 25 | 2.40 | 8.5 | 89 / 3.5 | 42 / 1.7 | 1.2 / 2.7 | 52 | Y23645 5 |
| 120 | 30 + 30 | 2.00 | 8.5 | 89 / 3.5 | 42 / 1.7 | 1.2 / 2.7 | 52 | Y23645 6 |
| 120 | 55 + 55 | 1.09 | 8.5 | 89 / 3.5 | 42 / 1.7 | 1.2 / 2.7 | 52 | Y23645 7 |
| 120 | 115+115 | 0.52 | 8.5 | 89 / 3.5 | 42 / 1.7 | 1.2 / 2.7 | 52 | Y23645 8 |

Y23 Range Transformer Specifications - 160VA

| Load (VA) | Secondary Voltage (V) | Secondary Current (A) | Regulation (Typical) | Diameter (mm/inches) | Height (mm/inches) | Weight (Kg/Pounds) | Temperature Rise (° C) | AVEL P/N |
|-----------|-----------------------|-----------------------|----------------------|----------------------|--------------------|--------------------|------------------------|----------|
| 160 | 12 + 12 | 6.67 | 6.7 | 100 / 4.0 | 42 / 1.7 | 1.5 / 3.3 | 52 | Y23650 0 |
| 160 | 15 + 15 | 5.33 | 6.7 | 100 / 4.0 | 42 / 1.7 | 1.5 / 3.3 | 52 | Y23650 1 |
| 160 | 18 + 18 | 4.44 | 6.7 | 100 / 4.0 | 42 / 1.7 | 1.5 / 3.3 | 52 | Y23650 2 |
| 160 | 22 + 22 | 3.64 | 6.7 | 100 / 4.0 | 42 / 1.7 | 1.5 / 3.3 | 52 | Y23650 3 |
| 160 | 25 + 25 | 3.20 | 6.7 | 100 / 4.0 | 42 / 1.7 | 1.5 / 3.3 | 52 | Y23650 4 |
| 160 | 30 + 30 | 2.67 | 6.7 | 100 / 4.0 | 42 / 1.7 | 1.5 / 3.3 | 52 | Y23650 5 |
| 160 | 35 + 35 | 2.29 | 6.7 | 100 / 4.0 | 42 / 1.7 | 1.5 / 3.3 | 52 | Y23650 7 |
| 160 | 55 + 55 | 1.45 | 6.7 | 100 / 4.0 | 42 / 1.7 | 1.5 / 3.3 | 52 | Y23650 6 |
| 160 | 115 + 115 | 0.70 | 6.7 | 100 / 4.0 | 42 / 1.7 | 1.5 / 3.3 | 52 | Y23650 8 |

Y23 Range Transformer Specifications - 230VA

| Load (VA) | Secondary Voltage (V) | Secondary Current (A) | Regulation (Typical) | Diameter (mm/inches) | Height (mm/inches) | Weight (Kg/Pounds) | Temperature Rise (° C) | AVEL P/N |
|-----------|-----------------------|-----------------------|----------------------|----------------------|--------------------|--------------------|------------------------|----------|
| 230 | 12 + 12 | 9.58 | 6.4 | 108 / 4.3 | 48 / 1.9 | 2.1 / 4.6 | 51 | Y23660 6 |

| | | | | | | | | |
|-----|-----------|------|-----|-----------|----------|-----------|----|----------|
| 230 | 15 + 15 | 7.67 | 6.4 | 108 / 4.3 | 48 / 1.9 | 2.1 / 4.6 | 51 | Y23660 7 |
| 230 | 18 + 18 | 6.39 | 6.4 | 108 / 4.3 | 48 / 1.9 | 2.1 / 4.6 | 51 | Y23660 8 |
| 230 | 25 + 25 | 4.60 | 6.4 | 108 / 4.3 | 48 / 1.9 | 2.1 / 4.6 | 51 | Y23660 0 |
| 230 | 30 + 30 | 3.83 | 6.4 | 108 / 4.3 | 48 / 1.9 | 2.1 / 4.6 | 51 | Y23660 1 |
| 230 | 35 + 35 | 3.29 | 6.4 | 108 / 4.3 | 48 / 1.9 | 2.1 / 4.6 | 51 | Y23660 2 |
| 230 | 40 + 40 | 2.88 | 6.4 | 108 / 4.3 | 48 / 1.9 | 2.1 / 4.6 | 51 | Y23660 3 |
| 230 | 55 + 55 | 2.09 | 6.4 | 108 / 4.3 | 48 / 1.9 | 2.1 / 4.6 | 51 | Y23660 4 |
| 230 | 115 + 115 | 1.00 | 6.4 | 108 / 4.3 | 48 / 1.9 | 2.1 / 4.6 | 51 | Y23660 5 |

Y23 Range Transformer Specifications - 250VA

| Load (VA) | Secondary Voltage (V) | Secondary Current (A) | Regulation (Typical) | Diameter (mm/inches) | Height (mm/inches) | Weight (Kg/Pounds) | Temperature Rise (° C) | AVEL P/N |
|-----------|-----------------------|-----------------------|----------------------|----------------------|--------------------|--------------------|------------------------|----------|
| 250 | 12 + 12 | 10.42 | 6.4 | 113 / 4.5 | 50 / 2.0 | 2.2 / 4.9 | 52 | Y23665 0 |
| 250 | 18 + 18 | 6.94 | 6.4 | 113 / 4.5 | 50 / 2.0 | 2.2 / 4.9 | 52 | Y23665 1 |
| 250 | 25 + 25 | 5.00 | 6.4 | 113 / 4.5 | 50 / 2.0 | 2.2 / 4.9 | 52 | Y23665 2 |
| 250 | 30 + 30 | 4.17 | 6.4 | 113 / 4.5 | 50 / 2.0 | 2.2 / 4.9 | 52 | Y23665 3 |
| 250 | 35 + 35 | 3.57 | 6.4 | 113 / 4.5 | 50 / 2.0 | 2.2 / 4.9 | 52 | Y23665 4 |
| 250 | 40 + 40 | 3.13 | 6.4 | 113 / 4.5 | 50 / 2.0 | 2.2 / 4.9 | 52 | Y23665 5 |
| 250 | 45 + 45 | 2.78 | 6.4 | 113 / 4.5 | 50 / 2.0 | 2.2 / 4.9 | 52 | Y23665 6 |
| 250 | 50 + 50 | 2.50 | 6.4 | 113 / 4.5 | 50 / 2.0 | 2.2 / 4.9 | 52 | Y23665 7 |
| 250 | 115 + 115 | 1.09 | 6.4 | 113 / 4.5 | 50 / 2.0 | 2.2 / 4.9 | 52 | Y23665 8 |

Y23 Range Transformer Specifications - 330VA

| Load (VA) | Secondary Voltage (V) | Secondary Current (A) | Regulation (Typical) | Diameter (mm/inches) | Height (mm/inches) | Weight (Kg/Pounds) | Temperature Rise (° C) | AVEL P/N |
|-----------|-----------------------|-----------------------|----------------------|----------------------|--------------------|--------------------|------------------------|----------|
| 330 | 25 + 25 | 6.60 | 6.0 | 122 / 4.8 | 53 / 2.1 | 2.8 / 6.2 | 52 | Y23675 0 |
| 330 | 30 + 30 | 5.50 | 6.0 | 122 / 4.8 | 53 / 2.1 | 2.8 / 6.2 | 52 | Y23675 1 |
| 330 | 35 + 35 | 4.71 | 6.0 | 122 / 4.8 | 53 / 2.1 | 2.8 / 6.2 | 52 | Y23675 2 |
| 330 | 40 + 40 | 4.13 | 6.0 | 122 / 4.8 | 53 / 2.1 | 2.8 / 6.2 | 52 | Y23675 3 |
| 330 | 45 + 45 | 3.67 | 6.0 | 122 / 4.8 | 53 / 2.1 | 2.8 / 6.2 | 52 | Y23675 4 |
| 330 | 55 + 55 | 3.00 | 6.0 | 122 / 4.8 | 53 / 2.1 | 2.8 / 6.2 | 52 | Y23675 5 |
| 330 | 115 + 115 | 1.43 | 6.0 | 122 / 4.8 | 53 / 2.1 | 2.8 / 6.2 | 52 | Y23675 6 |

Y23 Range Transformer Specifications - 500VA

| Load (VA) | Secondary Voltage (V) | Secondary Current (A) | Regulation (Typical) | Diameter (mm/inches) | Height (mm/inches) | Weight (Kg/Pounds) | Temperature Rise (° C) | AVEL P/N |
|-----------|-----------------------|-----------------------|----------------------|----------------------|--------------------|--------------------|------------------------|----------|
| 500 | 25 + 25 | 10.00 | 4.3 | 135 / 5.3 | 56 / 2.2 | 4.0 / 8.8 | 51 | Y23680 1 |
| 500 | 30 + 30 | 8.33 | 4.3 | 135 / 5.3 | 56 / 2.2 | 4.0 / 8.8 | 51 | Y23680 2 |
| 500 | 35 + 35 | 7.14 | 4.3 | 135 / 5.3 | 56 / 2.2 | 4.0 / 8.8 | 51 | Y23680 3 |
| 500 | 40 + 40 | 6.25 | 4.3 | 135 / 5.3 | 56 / 2.2 | 4.0 / 8.8 | 51 | Y23680 4 |
| 500 | 45 + 45 | 5.56 | 4.3 | 135 / 5.3 | 56 / 2.2 | 4.0 / 8.8 | 51 | Y23680 7 |
| 500 | 50 + 50 | 5.00 | 4.3 | 135 / 5.3 | 56 / 2.2 | 4.0 / 8.8 | 51 | Y23680 8 |
| 500 | 55 + 55 | 4.55 | 4.3 | 135 / 5.3 | 56 / 2.2 | 4.0 / 8.8 | 51 | Y23680 0 |
| 500 | 60 + 60 | 4.17 | 4.3 | 135 / 5.3 | 56 / 2.2 | 4.0 / 8.8 | 51 | Y23680 5 |
| 500 | 115 + 115 | 2.17 | 4.3 | 135 / 5.3 | 56 / 2.2 | 4.0 / 8.8 | 51 | Y23680 6 |

Y23 Range Transformer Specifications - 625VA

| Load (VA) | Secondary Voltage (V) | Secondary Current (A) | Regulation (Typical) | Diameter (mm/inches) | Height (mm/inches) | Weight (Kg/Pounds) | Temperature Rise (° C) | AVEL P/N |
|-----------|-----------------------|-----------------------|----------------------|----------------------|--------------------|--------------------|------------------------|----------|
| 625 | 25 + 25 | 12.50 | 4.3 | 137 / 5.4 | 67 / 2.6 | 4.9 / 10.8 | 53 | Y23685 0 |
| 625 | 30 + 30 | 10.42 | 4.3 | 137 / 5.4 | 67 / 2.6 | 4.9 / 10.8 | 53 | Y23685 1 |
| 625 | 35 + 35 | 8.93 | 4.3 | 137 / 5.4 | 67 / 2.6 | 4.9 / 10.8 | 53 | Y23685 2 |
| 625 | 40 + 40 | 7.81 | 4.3 | 137 / 5.4 | 67 / 2.6 | 4.9 / 10.8 | 53 | Y23685 3 |
| 625 | 45 + 45 | 6.94 | 4.3 | 137 / 5.4 | 67 / 2.6 | 4.9 / 10.8 | 53 | Y23685 7 |

| | | | | | | | | |
|-----|-----------|------|-----|-----------|----------|------------|----|---------|
| 625 | 50 + 50 | 6.25 | 4.3 | 137 / 5.4 | 67 / 2.6 | 4.9 / 10.8 | 53 | Y236858 |
| 625 | 55 + 55 | 5.68 | 4.3 | 137 / 5.4 | 67 / 2.6 | 4.9 / 10.8 | 53 | Y236854 |
| 625 | 60 + 60 | 5.21 | 4.3 | 137 / 5.4 | 67 / 2.6 | 4.9 / 10.8 | 53 | Y236855 |
| 625 | 115 + 115 | 2.72 | 4.3 | 137 / 5.4 | 67 / 2.6 | 4.9 / 10.8 | 53 | Y236856 |

Y23 Range Transformer Specifications - 800VA

| Load (VA) | Secondary Voltage (V) | Secondary Current (A) | Regulation (Typical) | Diameter (mm/inches) | Height (mm/inches) | Weight (Kg/Pounds) | Temperature Rise (° C) | AVEL P/N |
|-----------|-----------------------|-----------------------|----------------------|----------------------|--------------------|--------------------|------------------------|----------|
| 800 | 25 + 25 | 16.00 | 4.4 | 161 / 6.3 | 57 / 2.2 | 6.0 / 13.2 | 55 | Y236900 |
| 800 | 30 + 30 | 13.33 | 4.4 | 161 / 6.3 | 57 / 2.2 | 6.0 / 13.2 | 55 | Y236901 |
| 800 | 35 + 35 | 11.43 | 4.4 | 161 / 6.3 | 57 / 2.2 | 6.0 / 13.2 | 55 | Y236902 |
| 800 | 40 + 40 | 10.00 | 4.4 | 161 / 6.3 | 57 / 2.2 | 6.0 / 13.2 | 55 | Y236903 |
| 800 | 45 + 45 | 8.89 | 4.4 | 161 / 6.3 | 57 / 2.2 | 6.0 / 13.2 | 55 | Y236907 |
| 800 | 50 + 50 | 8.00 | 4.4 | 161 / 6.3 | 57 / 2.2 | 6.0 / 13.2 | 55 | Y236908 |
| 800 | 55 + 55 | 7.27 | 4.4 | 161 / 6.3 | 57 / 2.2 | 6.0 / 13.2 | 55 | Y236904 |
| 800 | 60 + 60 | 6.67 | 4.4 | 161 / 6.3 | 57 / 2.2 | 6.0 / 13.2 | 55 | Y236905 |
| 800 | 115 + 115 | 3.48 | 4.4 | 161 / 6.3 | 57 / 2.2 | 6.0 / 13.2 | 55 | Y236906 |

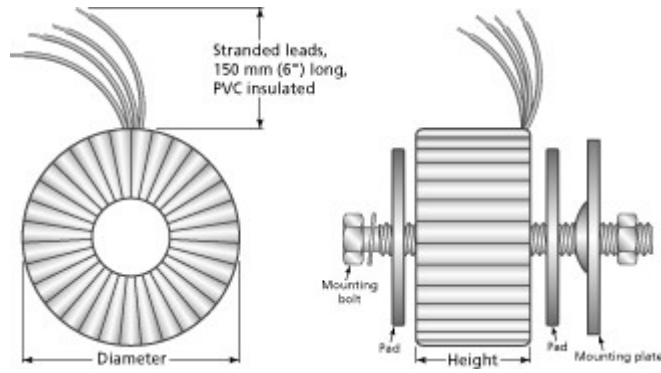
Y23 Range Transformer Specifications - 1000VA

| Load (VA) | Secondary Voltage (V) | Secondary Current (A) | Regulation (Typical) | Diameter (mm/inches) | Height (mm/inches) | Weight (Kg/Pounds) | Temperature Rise (° C) | AVEL P/N |
|-----------|-----------------------|-----------------------|----------------------|----------------------|--------------------|--------------------|------------------------|----------|
| 1000 | 25 + 25 | 20.00 | 3.8 | 163 / 6.4 | 65 / 2.6 | 7.0 / 15.4 | 56 | Y236950 |
| 1000 | 30 + 30 | 16.67 | 3.8 | 163 / 6.4 | 65 / 2.6 | 7.0 / 15.4 | 56 | Y236951 |
| 1000 | 35 + 35 | 14.29 | 3.8 | 163 / 6.4 | 65 / 2.6 | 7.0 / 15.4 | 56 | Y236952 |
| 1000 | 40 + 40 | 12.50 | 3.8 | 163 / 6.4 | 65 / 2.6 | 7.0 / 15.4 | 56 | Y236953 |
| 1000 | 45 + 45 | 11.11 | 3.8 | 163 / 6.4 | 65 / 2.6 | 7.0 / 15.4 | 56 | Y236957 |
| 1000 | 50 + 50 | 10.00 | 3.8 | 163 / 6.4 | 65 / 2.6 | 7.0 / 15.4 | 56 | Y236958 |
| 1000 | 55 + 55 | 9.09 | 3.8 | 163 / 6.4 | 65 / 2.6 | 7.0 / 15.4 | 56 | Y236954 |
| 1000 | 60 + 60 | 8.33 | 3.8 | 163 / 6.4 | 65 / 2.6 | 7.0 / 15.4 | 56 | Y236959 |
| 1000 | 115 + 115 | 4.35 | 3.80 | 163 / 6.4 | 65 / 2.6 | 7.0 / 15.4 | 56 | Y236956 |

Y23 Range Efficiency At Maximum Continuous VA Rating

| Load (VA) | Efficiency (%) | Copper Loss (W) | Iron Loss (W) |
|-----------|----------------|-----------------|---------------|
| 15 | 84.8 | 2.5 | 0.2 |
| 30 | 84.8 | 5.1 | 0.3 |
| 50 | 86.9 | 7.1 | 0.4 |
| 63 | 87.7 | 8.3 | 0.5 |
| 80 | 88.9 | 9.3 | 0.7 |
| 100 | 90.4 | 9.8 | 0.8 |
| 120 | 90.8 | 11.3 | 0.9 |
| 160 | 91.7 | 13.3 | 1.1 |
| 230 | 93.0 | 15.7 | 1.5 |
| 250 | 93.2 | 16.6 | 1.6 |
| 330 | 94.0 | 19.2 | 1.9 |
| 500 | 95.1 | 23.0 | 2.8 |
| 625 | 95.4 | 26.8 | 3.3 |
| 800 | 95.6 | 33.0 | 4.1 |
| 1000 | 96.0 | 36.2 | 5.4 |

Y23 Range Transformer Mechanical Drawing



Y23 Range Transformer Mounting Specifications

| Load (VA) | Mounting Plate | Bolt |
|---------------------|---|------------|
| 15, 30, 50 | 50 mm dia. x 1 mm thick (2.0" dia. x .04" thick) | M5 x 40 mm |
| 63, 80, 100, 120 | 70 mm dia. x 1 mm thick (2.8" dia. x .04" thick) | M6 x 50 mm |
| 160, 230, 330 | 90 mm dia. x 1 mm thick (3.6" dia. x .04" thick) | M6 x 60 mm |
| 500, 625, 800, 1000 | 110 mm dia. x 1 mm thick (4.3" dia. x .04" thick) | M6 x 80 mm |

All types also include 2 insulating pads, 2mm (.08") thick (uncompressed)

Y23 Range Transformer Connections

Note: Windings may be connected in parallel or in series.
If they are isolated from each other, the applied potential between them must not exceed 250 V DC.

