

Sheet: Memory



File: Memory.sch

Sheet: ADV202



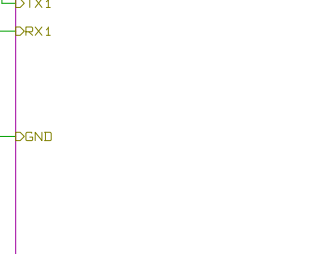
File: ADV202.sch

Sheet: Power



File: Power.sch

Sheet: CameraLink



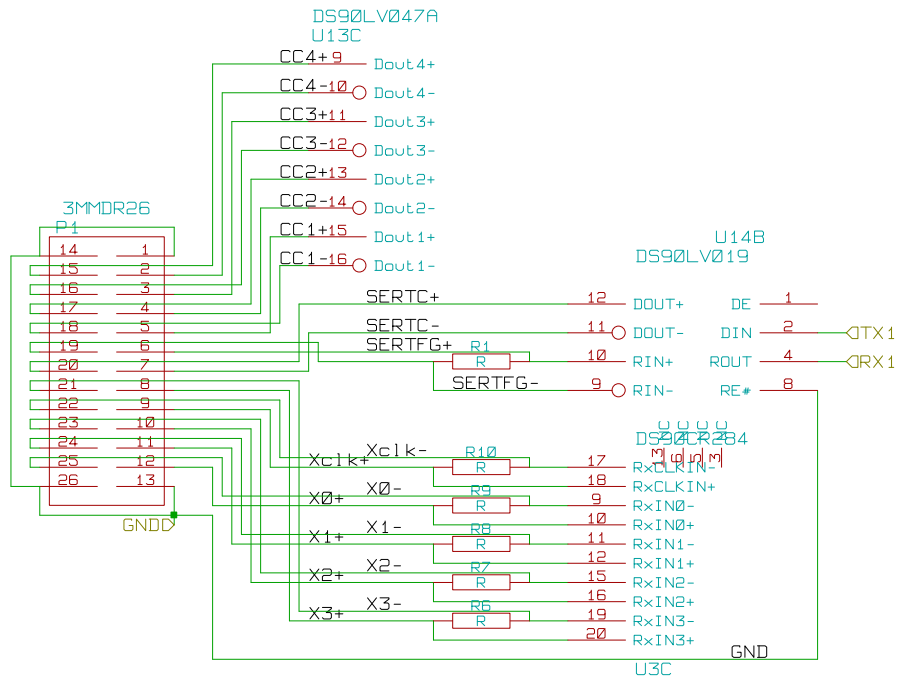
File: CameraLink.sch

Sheet: PCI

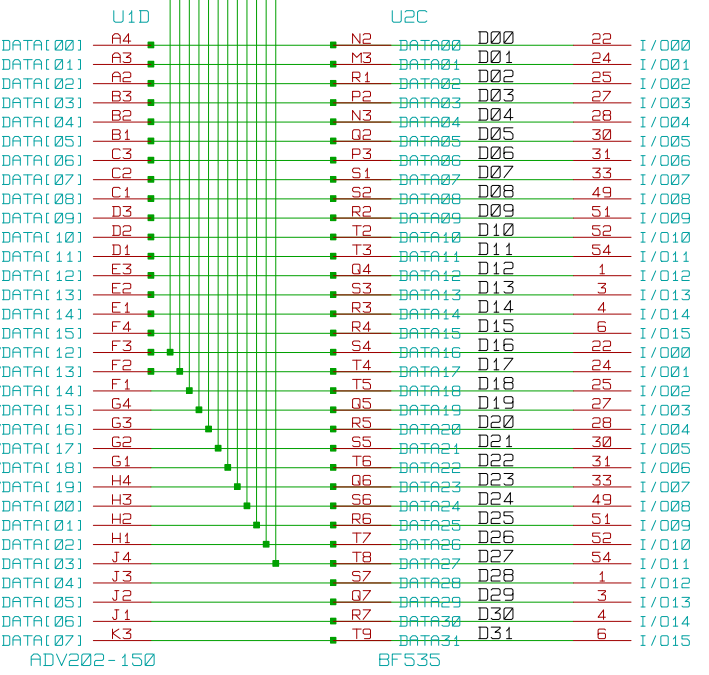
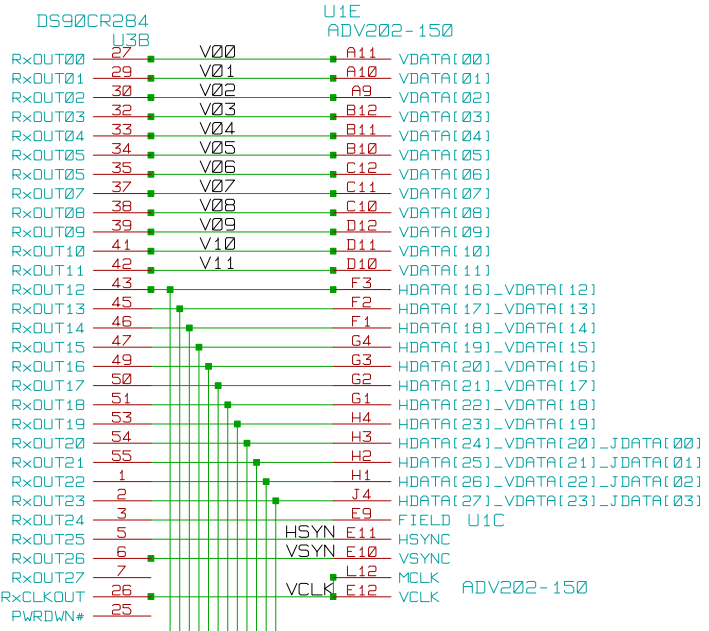


File: PCI.sch

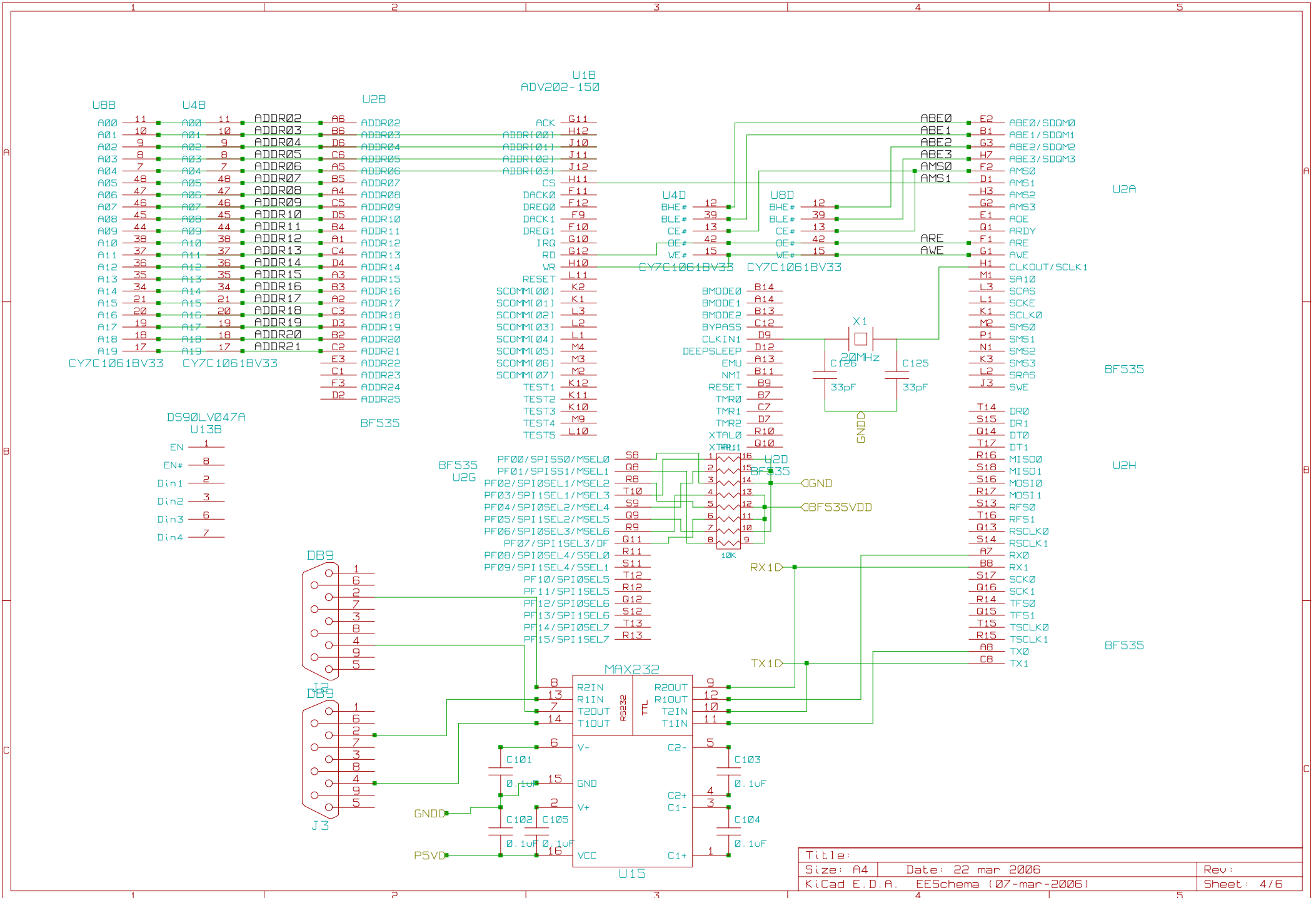
Optional USB connection  
Optional Base CameraLink connection  
BF535 PCI controller driving ADV202 J2K Encoder/Decoder  
LXA Inventors  
Title: PCI-104 ADV202 BF535 board  
Size: User Date: 22 mar 2006 Rev: 1  
KiCad E.D.A. EESchema (07-mar-2006) Sheet: 1/6



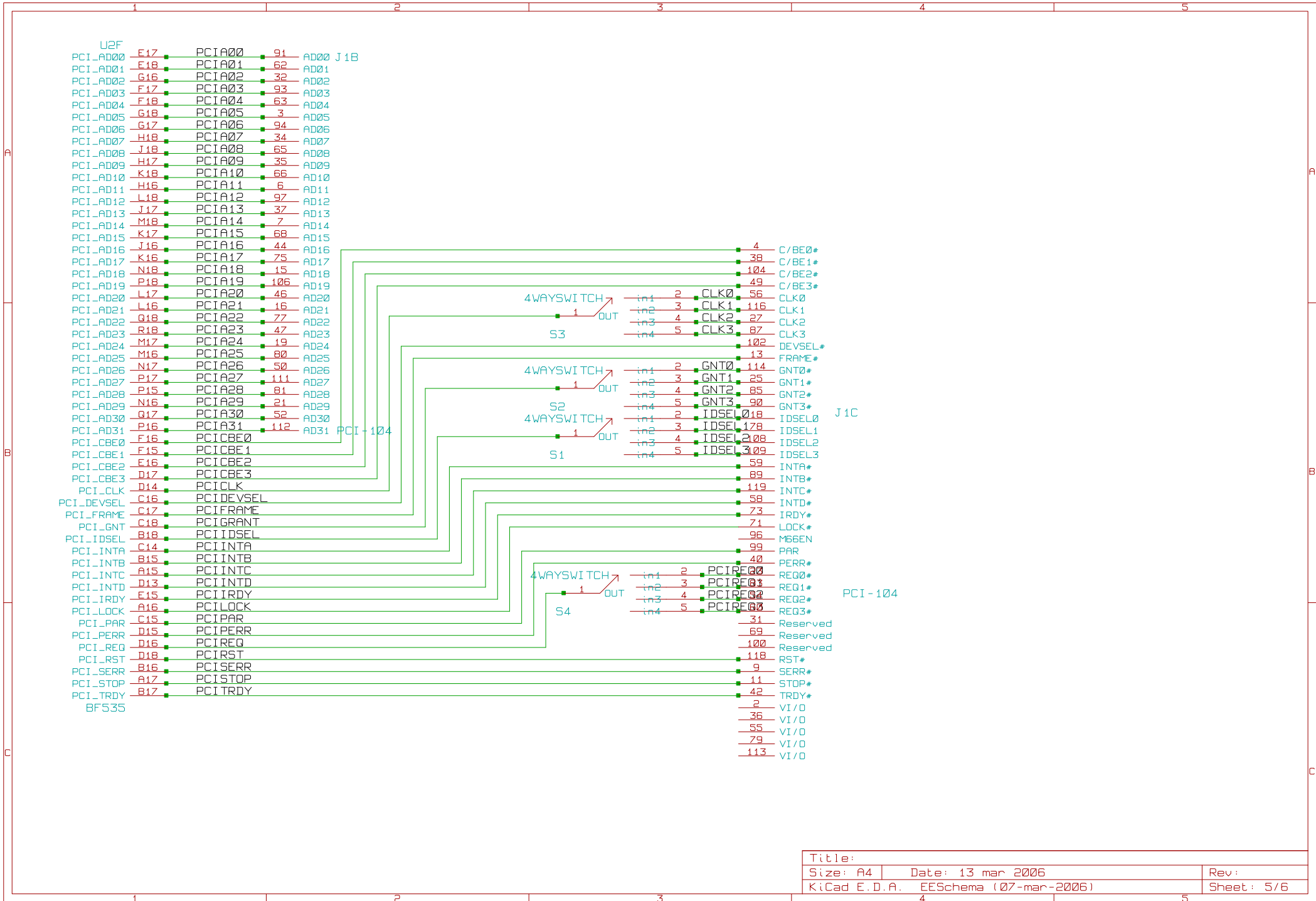
Title:		
Size: A4	Date: 13 mar 2006	Rev:
K:\Cad E.D.A. EESchema (07-mar-2006)		Sheet: 2/6

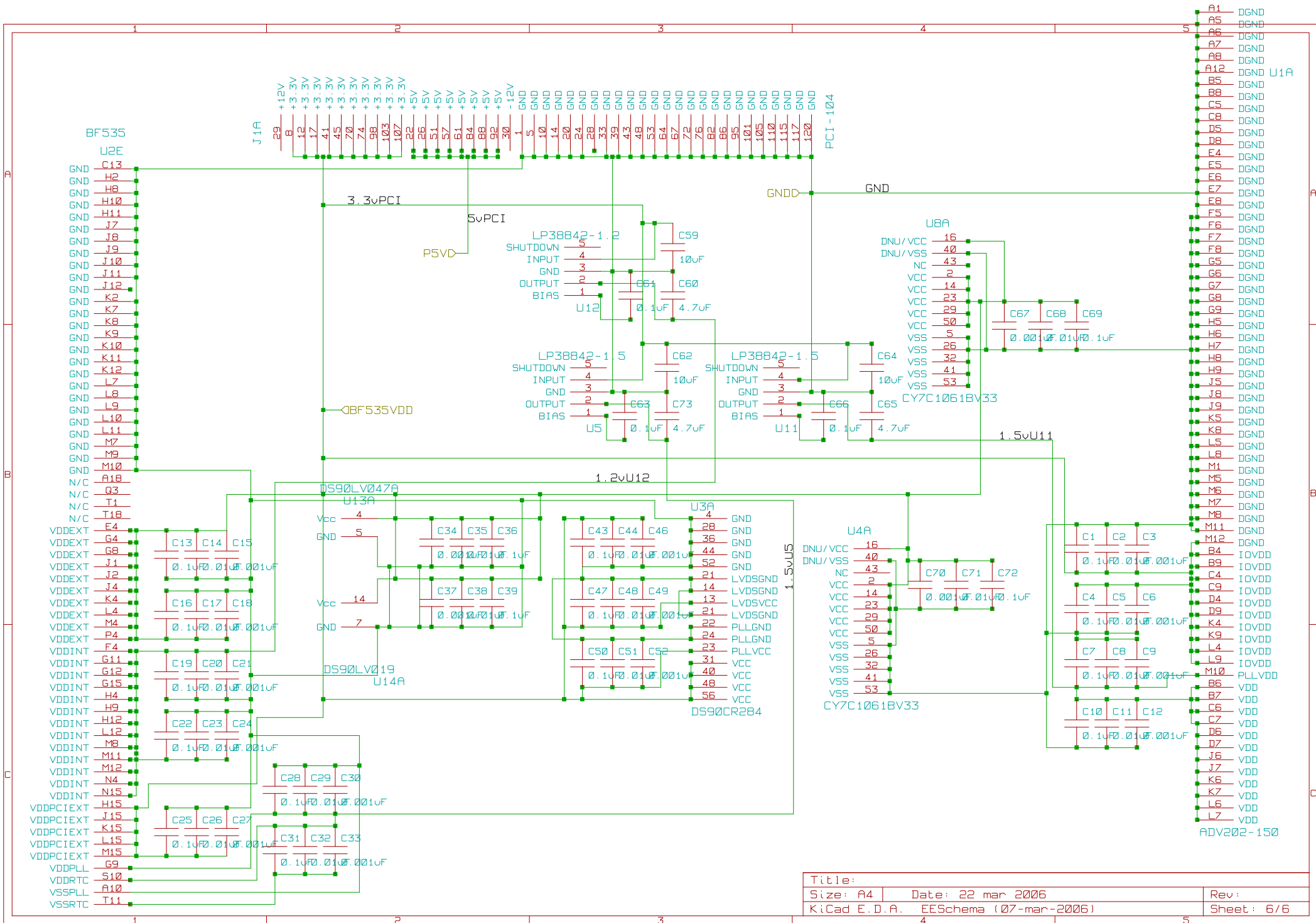


Title:		Date: 13 mar 2006		Rev:	
Size: A4		KiCad E.D.A.		Sheet: 3/6	
		EESchema (07-mar-2006)			



Title:		
Size: A4	Date: 22 mar 2006	Rev:
K:\Cad E.D.A. EESchema (07-mar-2006)		Sheet: 4/6





Title:		
Size: A4	Date: 22 mar 2006	Rev:
KiCad E.D.A. EESchema (07-mar-2006)		Sheet: 6/6