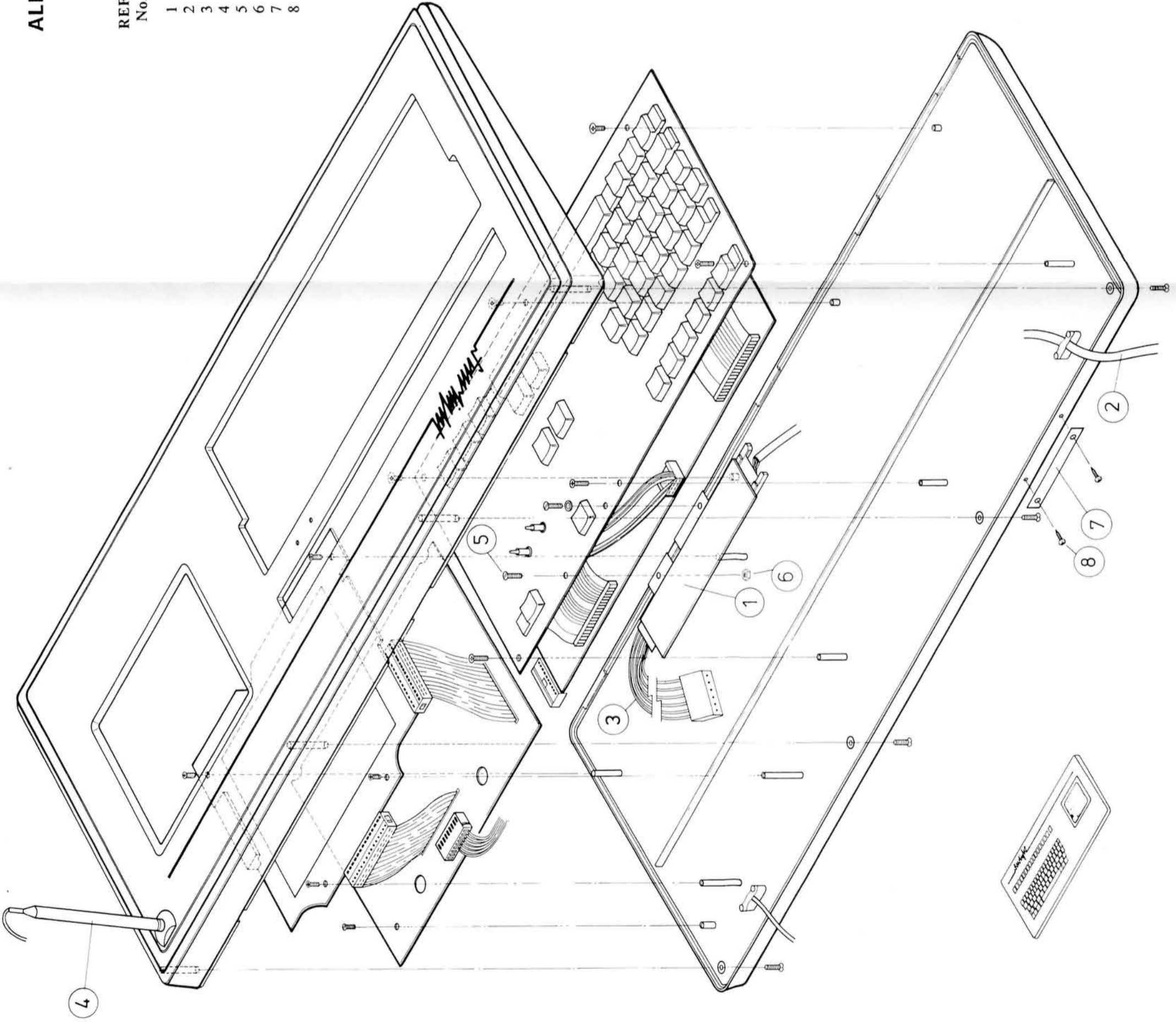
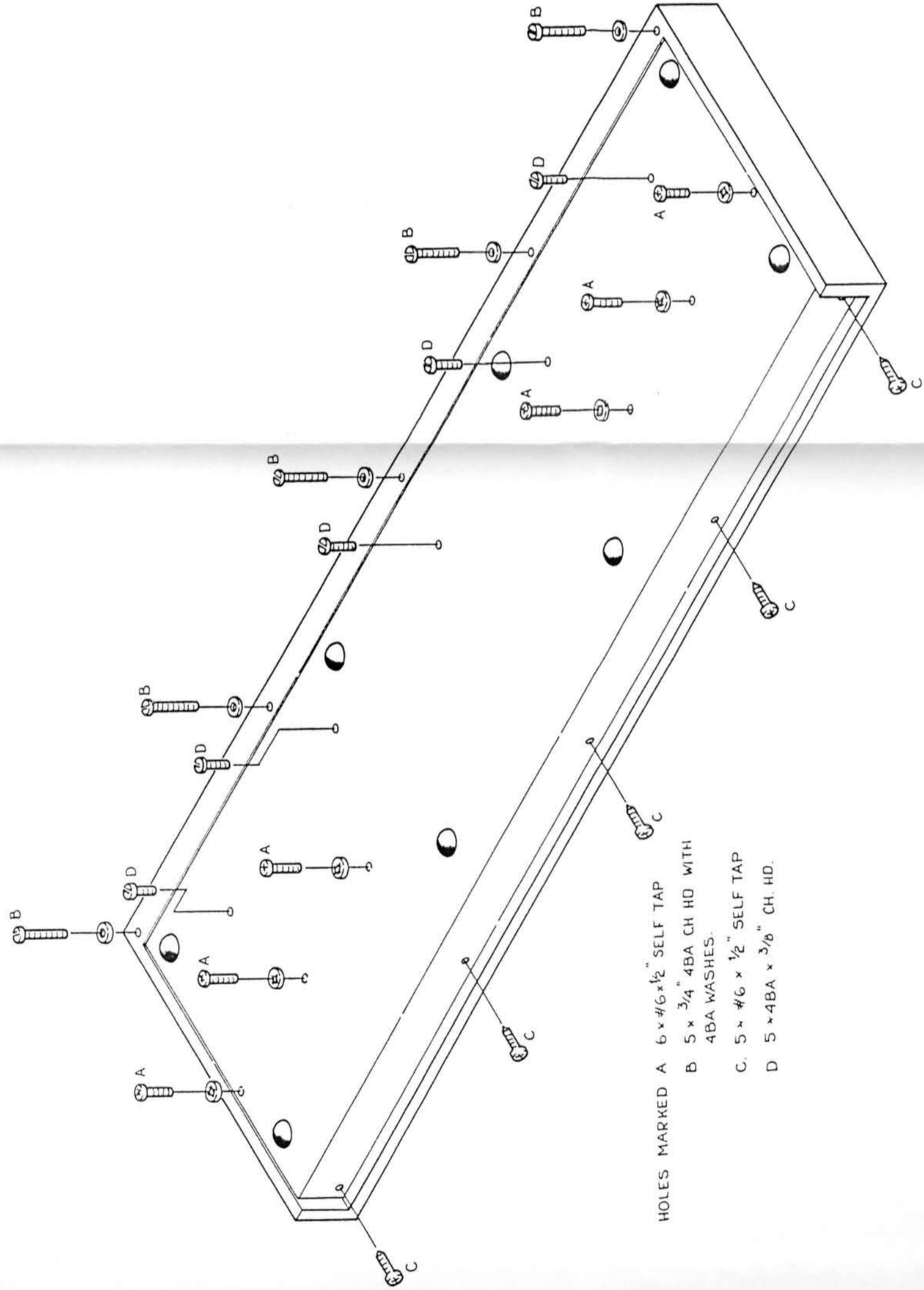


# ALPHA NUMERIC GRAPHICS KEYBOARD DM3005

REF. No.	PART No.	DESCRIPTION
1	MCM1314	CARD, P.S.U. ADAPTOR
2	M3195	CABLE ASSEMBLY, 7 CORE
3	MC606	CABLE ASSEMBLY, 10 CORE
4	G8090	PEN, GRAPHICS
5	H1061	SCREW, CHD, M3 X 8
6	H2022	NUT, M3
7	300/067	PLATE, SERIAL #
8	H1050	SCREW, PZ PHD S/T, 1/2"



FIXING SCREWS ON MASTER KEYBOARD TOP COVER  
DMC004C



- HOLES MARKED A 6 x #6 x 1/2" SELF TAP  
B 5 x 3/4" 4BA CH HD WITH  
4BA WASHES.  
C. 5 x #6 x 1/2" SELF TAP  
D 5 x 4BA x 3/8" CH. HD.

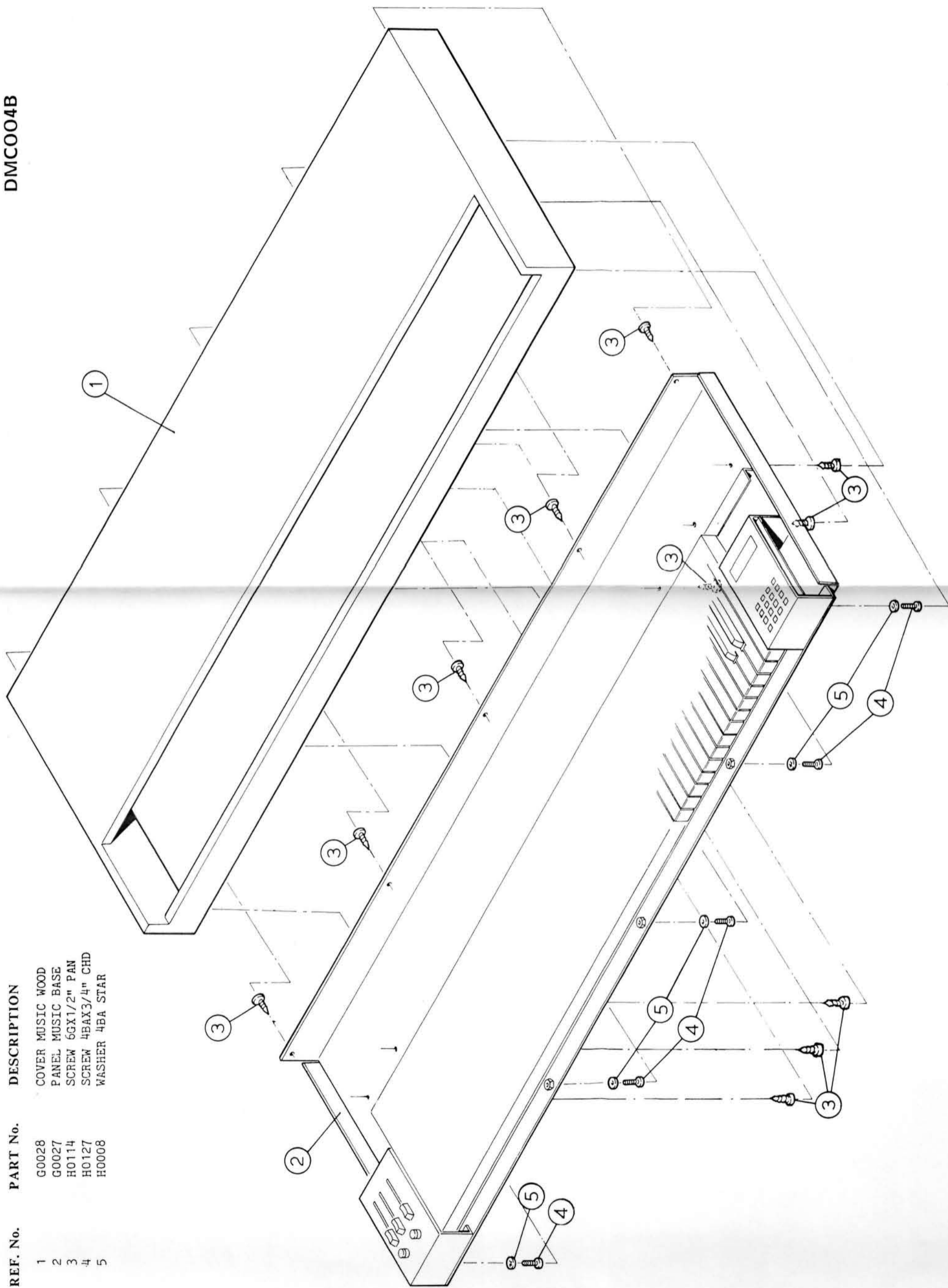
MASTER KEYBOARD COMPLETE  
DMC004B

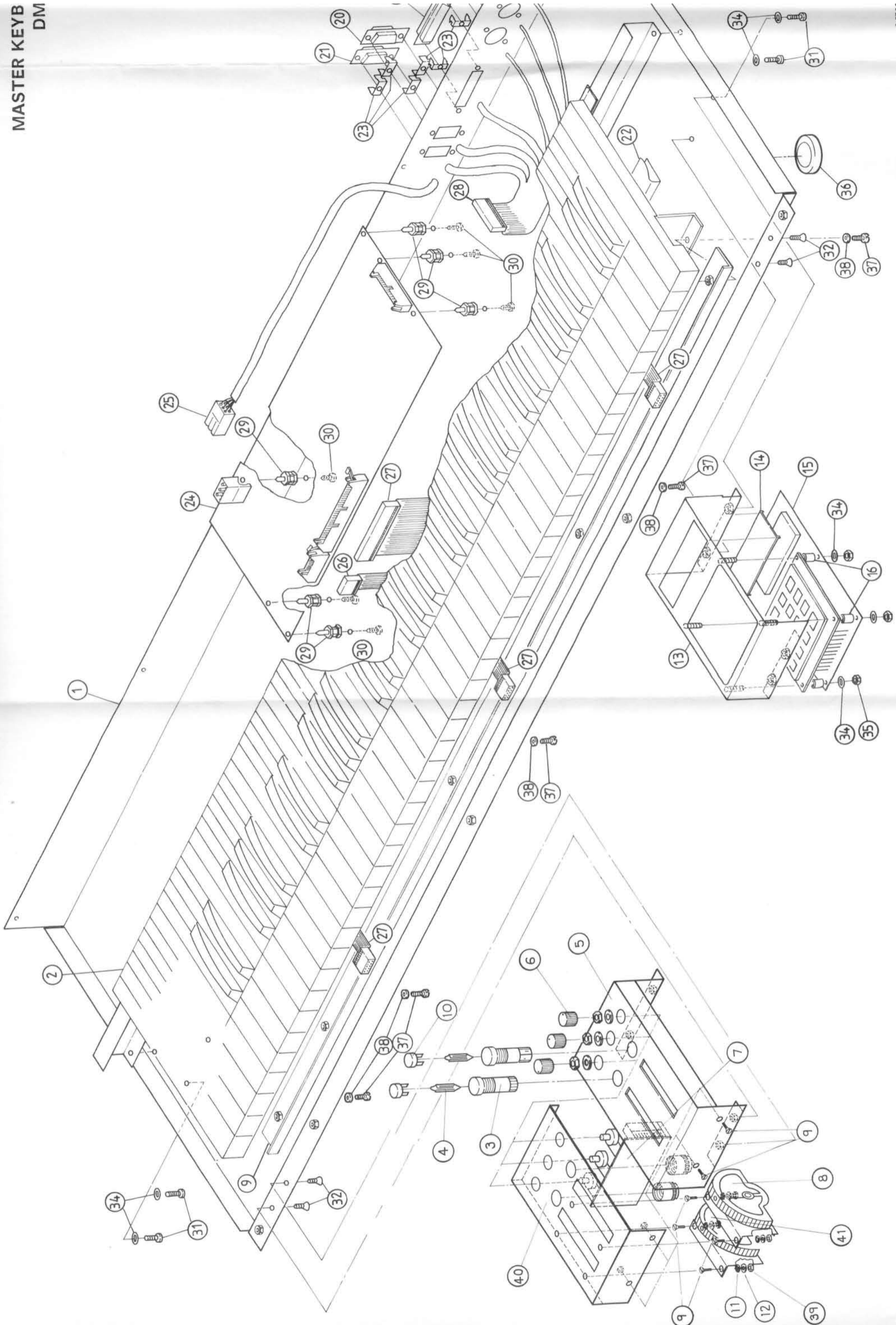
DESCRIPTION

PART No.

REF. No.

- |   |       |                    |
|---|-------|--------------------|
| 1 | G0028 | COVER MUSIC WOOD   |
| 2 | G0027 | PANEL MUSIC BASE   |
| 3 | H0114 | SCREW 6GX1/2" PAN  |
| 4 | H0127 | SCREW 4BAX3/4" CHD |
| 5 | H0008 | WASHER 4BA STAR    |

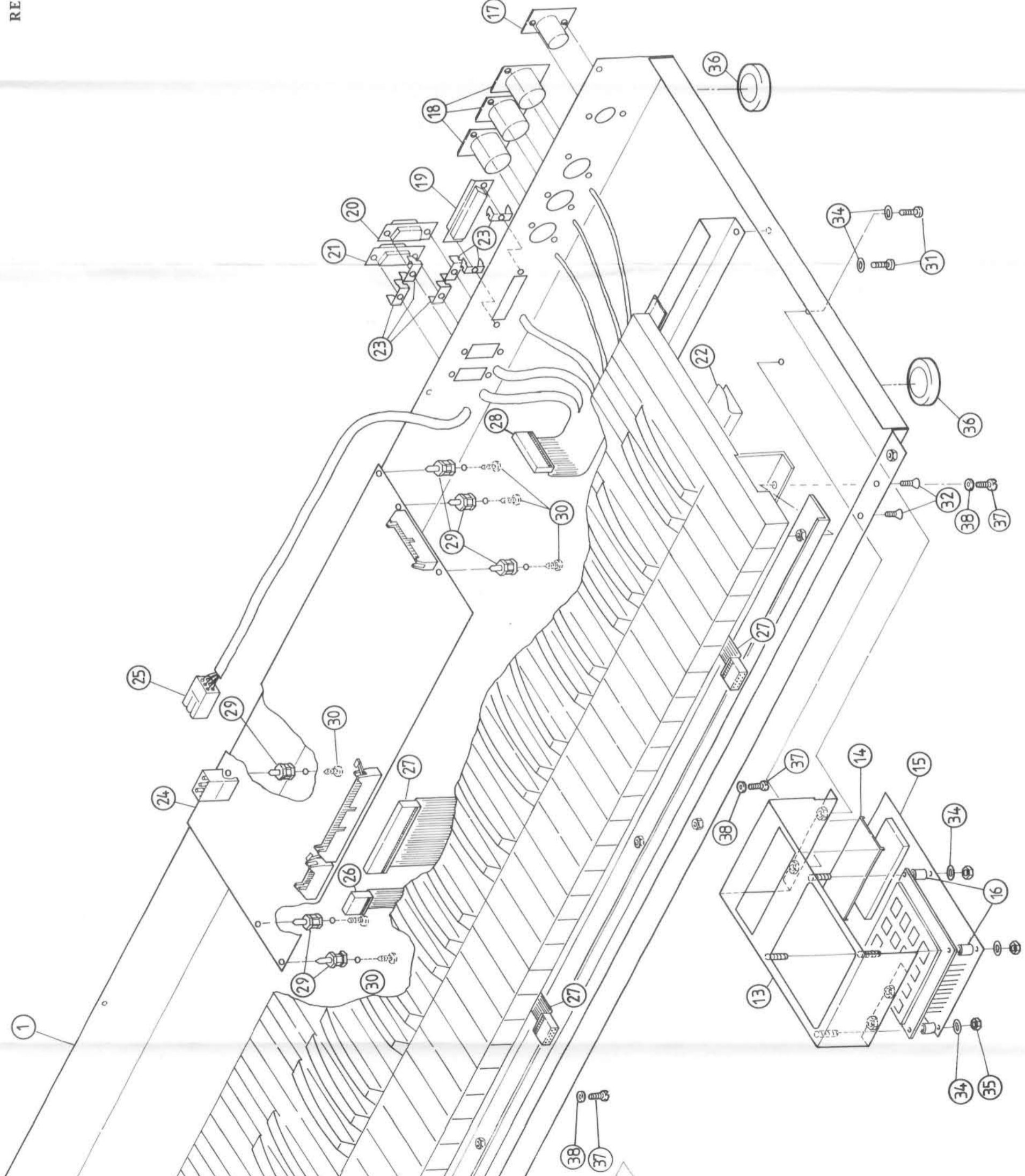




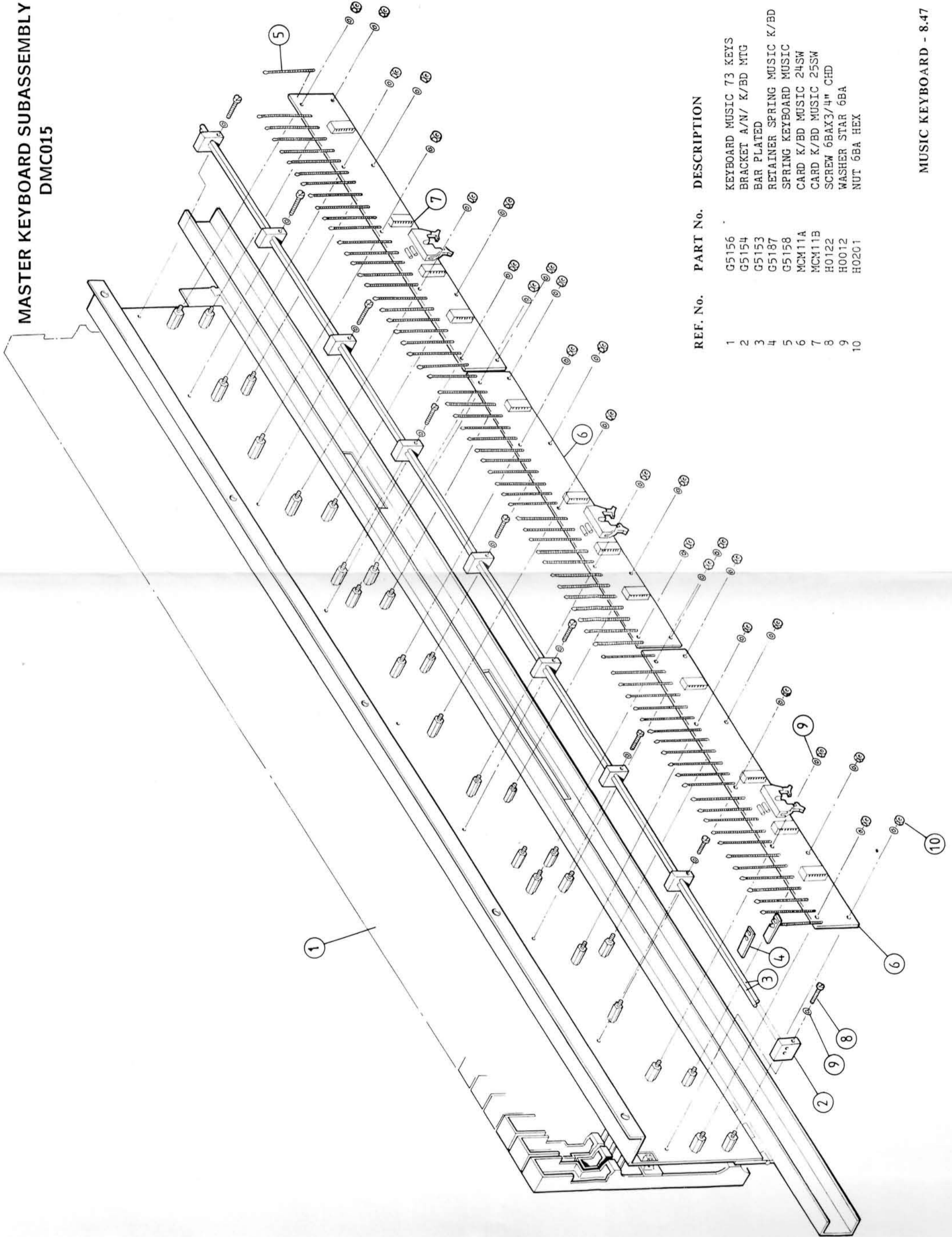
# MASTER KEYBOARD ASSEMBLY DMC004

REF. No. PART No. DESCRIPTION

REF. No.	PART No.	DESCRIPTION
1	300/027	PANEL, BASE
2	MC015	KEYBOARD ASSLY
3	G5405	SWITCH, ILLUM.
4	G5407	GLOBE, 24V
5	300/418	COVER, END CHEEK
6	G5426	KNOB
7	MCM1319	P.C.B. ASSLY
8	G8089	WHEEL ASSLY, VARIABLE CONTROL
9	H1056	SCREW, CSK BLACK, M3 X 10
10	G5406	BEZEL, WHITE
11	H0029	WASHER, STAR, M3
12	H0037	WASHER, FLAT, M3
13	300/025	END CHEEK, R/H
14	G5165	BEZEL, RED
15	MCM112	CARD, L.E.D. DISPLAY
16	G5142	SPACER, 6BA X 1/4"
17	D6738	SOCKET, CANNON 7P
18	D6710	SOCKET, CANNON 5S
19	D6729	SOCKET, D MINI 25S
20	D6727	SOCKET, D MINI 9S
21	D6728	SOCKET, D MINI 9P
22	G5122	CLIP, CABLE
23	D6731	LUG, D MINI
24	MCM110	CARD, CMI 10
25	G5219	CONNECTOR, LOOM
26	G6007	CABLE, PITCH WHEEL
27	MC063	CABLE, KEYBOARD ASSLY
28	MC071	CABLE, REAR PANEL
29	G5107	STANDOFF
30	H0125	SCREW, CHD, 6g X 1/4"
31	H0124	SCREW, CHD, 6BA X 1/4"
32	H0117	SCREW, CSK, 6BA X 1/4"
33	H0130	SCREW, CSK, 6BA X 3/16"
34	H0012	WASHER, STAR, 6BA
35	H0201	NUT, 6BA
36	G5183	FOOT, RUBBER
37	H0112	SCREW, CHD, 4BA X 3/8"
38	H0008	WASHER, STAR, 4BA
39	H2020	NUT, M3
40	300/419	CHASSIS, END CHEEK
41	G8091	WHEEL ASSLY, SPRING RETURN

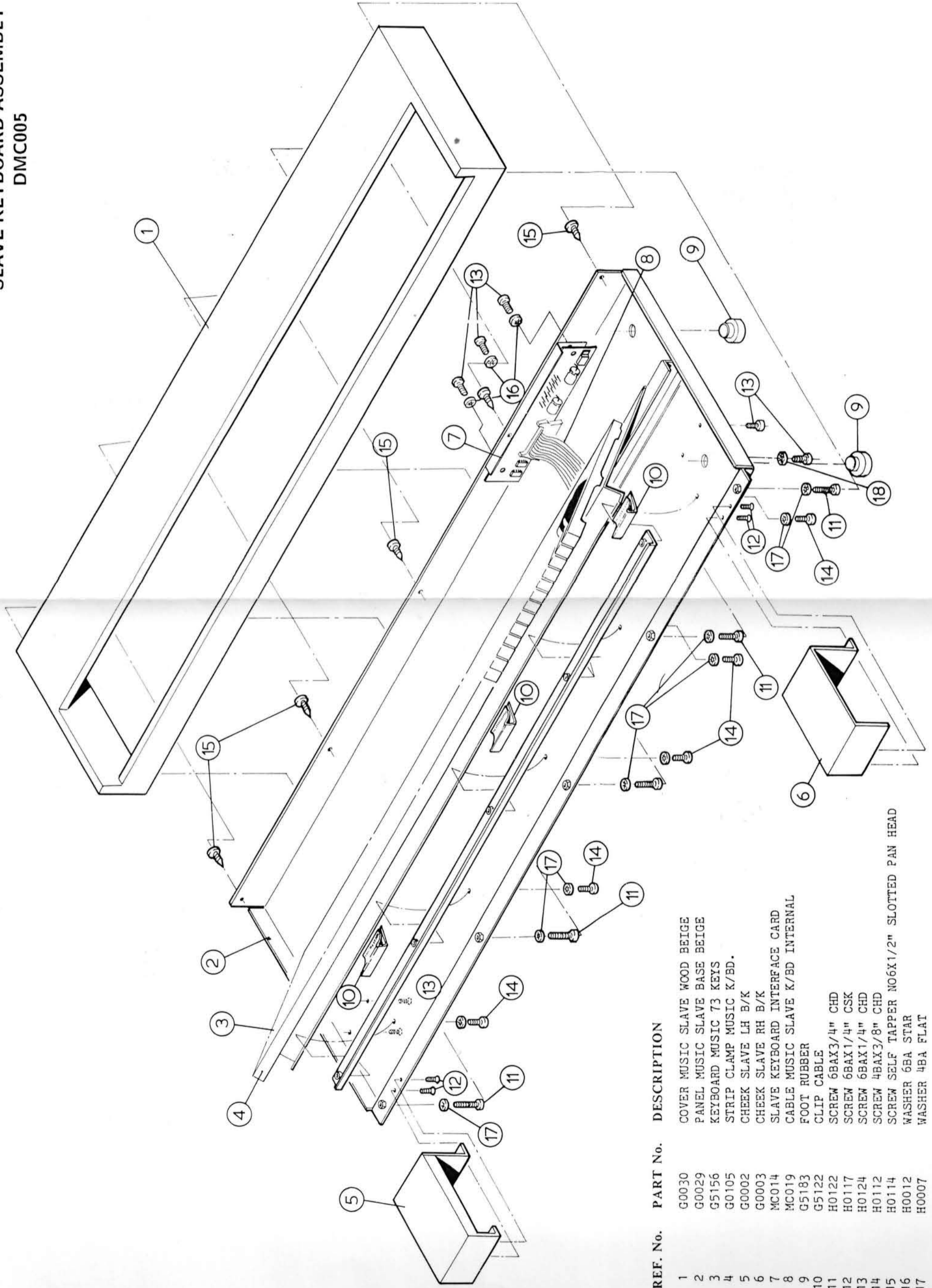


**MASTER KEYBOARD SUBASSEMBLY  
DMC015**



REF. No.	PART No.	DESCRIPTION
1	G5156	KEYBOARD MUSIC 73 KEYS
2	G5154	BRACKET A/N/ K/BD MTG
3	G5153	BAR PLATED
4	G5187	RETAINER SPRING MUSIC K/BD
5	G5158	SPRING KEYBOARD MUSIC
6	MCM11A	CARD K/BD MUSIC 24SW
7	MCM11B	CARD K/BD MUSIC 25SW
8	H0122	SCREW 6BAX3/4" CHD
9	H0012	WASHER STAR 6BA
10	H0201	NUT 6BA HEX

SLAVE KEYBOARD ASSEMBLY  
DMC005



REF. No.	PART No.	DESCRIPTION
1	G0030	COVER MUSIC SLAVE WOOD BEIGE
2	G0029	PANEL MUSIC SLAVE BASE BEIGE
3	G5156	KEYBOARD MUSIC 73 KEYS
4	G0105	STRIP CLAMP MUSIC K/BD.
5	G0002	CHEEK SLAVE LH B/K
6	G0003	CHEEK SLAVE RH B/K
7	MC014	SLAVE KEYBOARD INTERFACE CARD
8	MC019	CABLE MUSIC SLAVE K/BD INTERNAL
9	G5183	FOOT RUBBER
10	G5122	CLIP CABLE
11	H0122	SCREW 6BAX3/4" CHD
12	H0117	SCREW 6BAX1/4" CSK
13	H0124	SCREW 6BAX1/4" CHD
14	H0112	SCREW 4BAX3/8" CHD
15	H0114	SCREW SELF TAPPER NO6X1/2" SLOTTED PAN HEAD
16	H0012	WASHER 6BA STAR
17	H0007	WASHER 4BA FLAT

# Graphics Monitor

9

## Contents

Introduction.....	9.2
Specifications.....	9.2
Operation.....	9.2
Recommended Procedures.....	9.2
Picture Adjustment.....	9.3
Multitech exploded diagram.....	9.5
Thomas GM-1211 exploded diagram.....	9.7

## VISUAL DISPLAY UNIT

### Introduction

The VDU supplied with each series III CMI is likely to be either a Multitech or Thomas unit. Specifications and adjustment procedures for both units are as follows:

### Specifications

Picture tube  
12" picture measured diagonally 90-degree deflection angle  
Phosphor  
Green (K138) or Amber (K134)  
Scanning Frequency  
Horizontal 15625Hz - 15750Hz  
Vertical 50 or 60Hz  
Signal input  
Belling - Lee 5 pin  
Signal output connector  
RCA  
Input signal  
1.0 - 2.0 Vp-p composite video  
Video-band width  
18 MHz typical  
Resolution  
1000 lines  
Power consumption  
28W max. AC  
Dimensions  
Approx. 381 x 279 x 315mm (WxHxD)  
Weight  
Approx. 6.2g (13.6 lb)

### Operation

Connect cable from computer input jack.  
Put the mode switch in higher position (75 ohm mode) if only one monitor is used, and in lower position (Hi Z mode) for driving several monitors.  
Switch power on to the VDU by pressing the POWER switch or by turning the brightness control clockwise.  
Adjust the BRIGHTNESS controls to obtain optimum display quality.

### Recommended Procedures

Do not install the monitor in a location near heat sources such as radiators or airducts, or in a place subject to direct sunlight, or excessive dust or mechanical vibration or shock.

Allow adequate air circulation to prevent internal heat build-up. Do not place the monitor set on soft surfaces (rugs, blankets, etc.) or near materials (curtains, draperies) that may block the ventilation holes.

Save the original shipping carton and packing material; they will come in handy if you ever have to ship your monitor.

For maximum protection, repack your monitor as it was originally packed at the factory.

To keep the monitor looking brand new, periodically clean it with a soft cloth. Stubborn stains may be removed with a cloth lightly dampened with a mild detergent solution. Never use strong solvents such as thinner or benzine or abrasive cleansers, since these will damage the cabinet. As a safety precaution, always unplug the monitor before cleaning it.

**Picture Adjustment**

The following adjustments are made using the controls on the front or rear of the VDU.



If the picture is too bright or too dark, adjust the **BRIGHTNESS CONTROL**.



If the picture contrast is too strong or too weak, adjust the **CONTRAST CONTROL**.



If the picture is not stable in horizontal, adjust the **HORIZONTAL HOLD CONTROL**.



If the picture moves up or down or rolls, adjust the **VERTICAL HOLD CONTROL**.

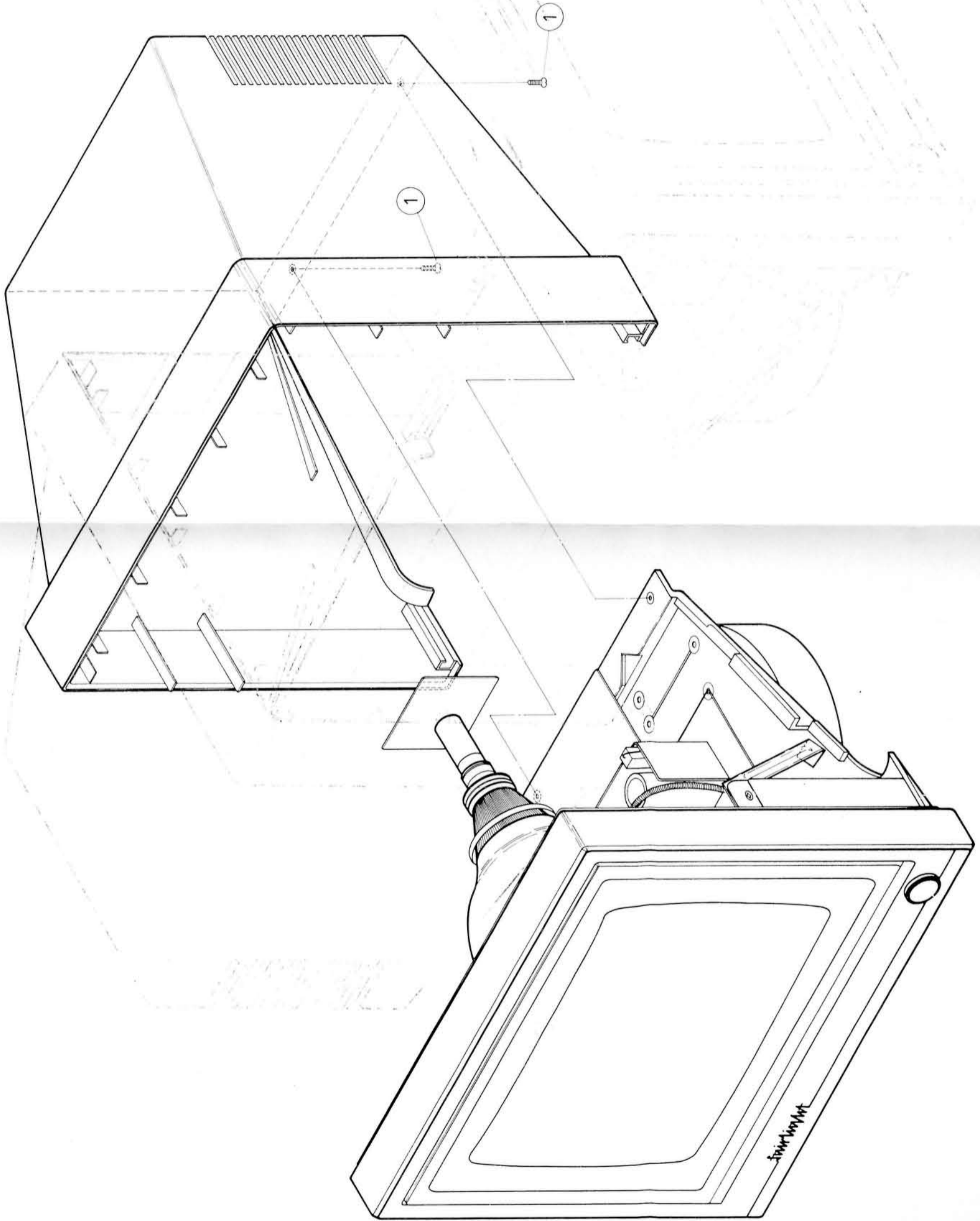


If the height of the picture is not suitable, adjust **V-SIZE CONTROL**.



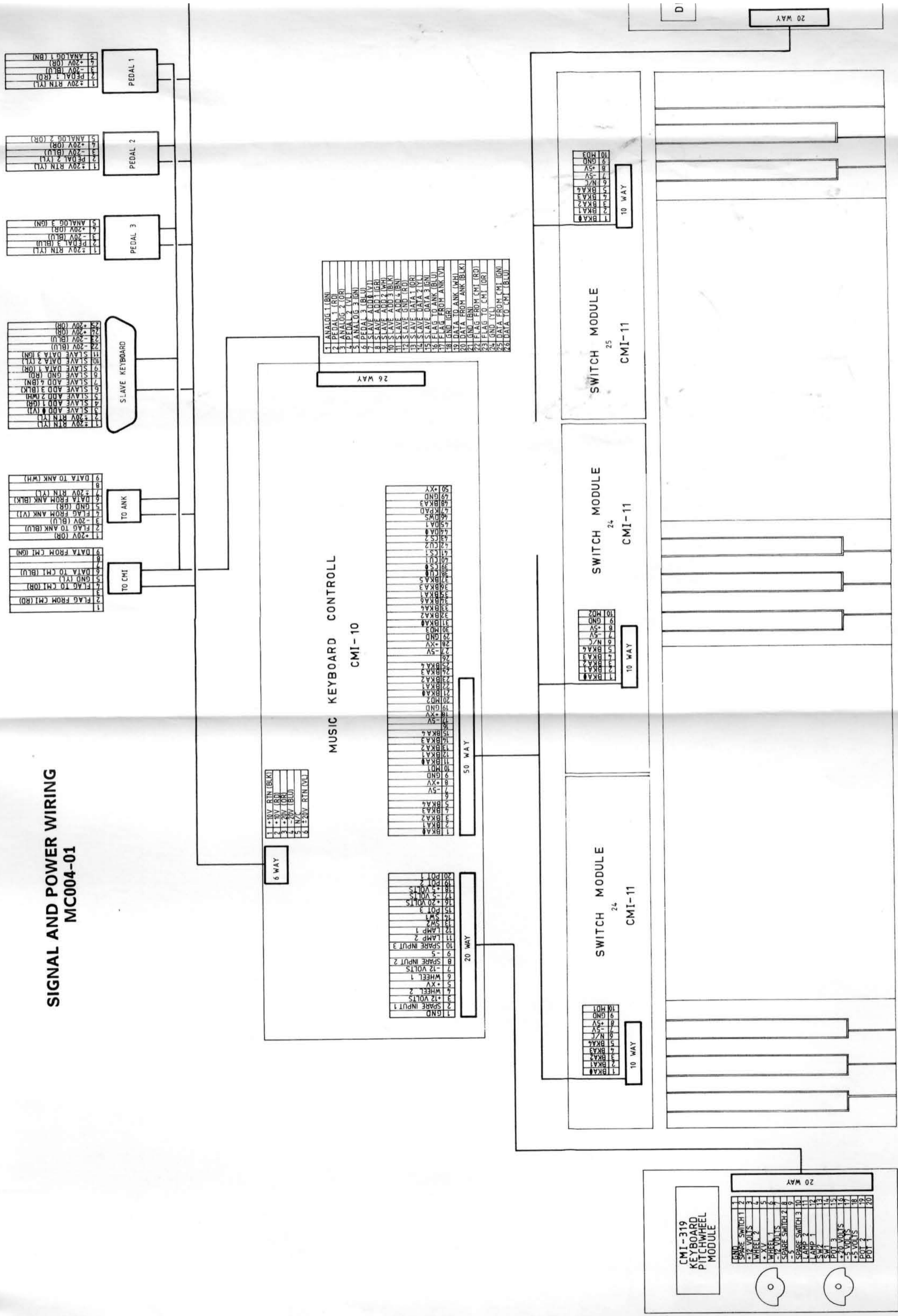
If the picture is not on the centre of the screen, adjust **H-PHASE CONTROL**.

If a satisfactory display cannot be achieved by means of the above adjustments, return the unit to Fairlight for repair or replacement.





# SIGNAL AND POWER WIRING MC004-01



**PEDAL 1**

1	±20V RTN (YL)
2	PEDAL 1 (RD)
3	-20V (BLU)
4	+20V (OR)
5	ANALOG 1 (BN)

**PEDAL 2**

1	±20V RTN (YL)
2	PEDAL 2 (YL)
3	-20V (BLU)
4	+20V (OR)
5	ANALOG 2 (OR)

**PEDAL 3**

1	±20V RTN (YL)
2	PEDAL 3 (BLU)
3	-20V (BLU)
4	+20V (OR)
5	ANALOG 3 (GN)

**SLAVE KEYBOARD**

1	±20V RTN (YL)
2	SLAVE ADD # (VI)
3	SLAVE ADD 1 (GR)
4	SLAVE ADD 2 (BLK)
5	SLAVE ADD 3 (BLK)
6	SLAVE ADD 4 (BN)
7	SLAVE ADD 5 (BLU)
8	SLAVE GND (RD)
9	SLAVE DATA 1 (OR)
10	SLAVE DATA 2 (YL)
11	SLAVE DATA 3 (GN)
12	-20V (BLU)
13	-20V (BLU)
14	-20V (OR)
15	+20V (OR)

**TO ANK**

1	±20V (OR)
2	FLAG TO ANK (BLU)
3	-20V (BLU)
4	FLAG FROM ANK (VI)
5	GND (GR)
6	DATA FROM ANK (BLK)
7	±20V RTN (YL)
8	DATA TO ANK (WH)
9	DATA TO ANK (WH)

**TO CMI**

1	FLAG FROM CMI (RD)
2	FLAG TO CMI (OR)
3	GND (YL)
4	DATA TO CMI (BLU)
5	DATA FROM CMI (GN)
6	DATA FROM CMI (GN)
7	DATA FROM CMI (GN)
8	DATA FROM CMI (GN)
9	DATA FROM CMI (GN)

**6 WAY**

1	+10V RTN (BLK)
2	+10V (RD)
3	+20V (OR)
4	-20V (BLU)
5	-20V (BLU)
6	±20V RTN (YL)

**50 WAY**

1	BKA0
2	BKA1
3	BKA2
4	BKA3
5	BKA4
6	BKA5
7	BKA6
8	BKA7
9	BKA8
10	BKA9
11	BKA0
12	BKA1
13	BKA2
14	BKA3
15	BKA4
16	BKA5
17	BKA6
18	BKA7
19	BKA8
20	BKA9
21	BKA0
22	BKA1
23	BKA2
24	BKA3
25	BKA4
26	BKA5
27	BKA6
28	BKA7
29	BKA8
30	BKA9
31	BKA0
32	BKA1
33	BKA2
34	BKA3
35	BKA4
36	BKA5
37	BKA6
38	BKA7
39	BKA8
40	BKA9
41	BKA0
42	BKA1
43	BKA2
44	BKA3
45	BKA4
46	BKA5
47	BKA6
48	BKA7
49	BKA8
50	BKA9

**20 WAY**

1	GND
2	SPARE INPUT 1
3	+12 VOLTS
4	WHEEL 2
5	+XV
6	WHEEL 1
7	-12 VOLTS
8	SPARE INPUT 2
9	-5
10	SPARE INPUT 3
11	LAMP 2
12	LAMP 1
13	SW1
14	SW2
15	POT 3
16	+20 VOLTS
17	-5 VOLTS
18	+5 VOLTS
19	POT 2
20	POT 1

**26 WAY**

1	ANALOG 1 (BN)
2	PEDAL 1 (TR)
3	ANALOG 2 (OR)
4	PEDAL 2 (YL)
5	ANALOG 3 (GN)
6	PEDAL 3 (BLU)
7	SLAVE ADD 1 (VI)
8	SLAVE ADD 2 (GR)
9	SLAVE ADD 3 (WH)
10	SLAVE ADD 4 (BLK)
11	SLAVE GND (TR)
12	SLAVE DATA 1 (OR)
13	SLAVE DATA 2 (YL)
14	SLAVE DATA 3 (GN)
15	SLAVE DATA 4 (BLK)
16	FLAG TO ANK (BLU)
17	FLAG FROM ANK (VI)
18	GND (GR)
19	DATA TO ANK (WH)
20	DATA FROM ANK (BLK)
21	GND (BN)
22	FLAG FROM CMI (RD)
23	FLAG TO CMI (OR)
24	GND (YL)
25	DATA FROM CMI (GN)
26	DATA TO CMI (BLU)

**10 WAY**

1	BKA0
2	BKA1
3	BKA2
4	BKA3
5	BKA4
6	N/C
7	-5V
8	+5V
9	GND
10	MOD

**10 WAY**

1	BKA0
2	BKA1
3	BKA2
4	BKA3
5	BKA4
6	N/C
7	-5V
8	+5V
9	GND
10	MOD

**10 WAY**

1	BKA0
2	BKA1
3	BKA2
4	BKA3
5	BKA4
6	N/C
7	-5V
8	+5V
9	GND
10	MOD

**10 WAY**

1	BKA0
2	BKA1
3	BKA2
4	BKA3
5	BKA4
6	N/C
7	-5V
8	+5V
9	GND
10	MOD

**20 WAY**

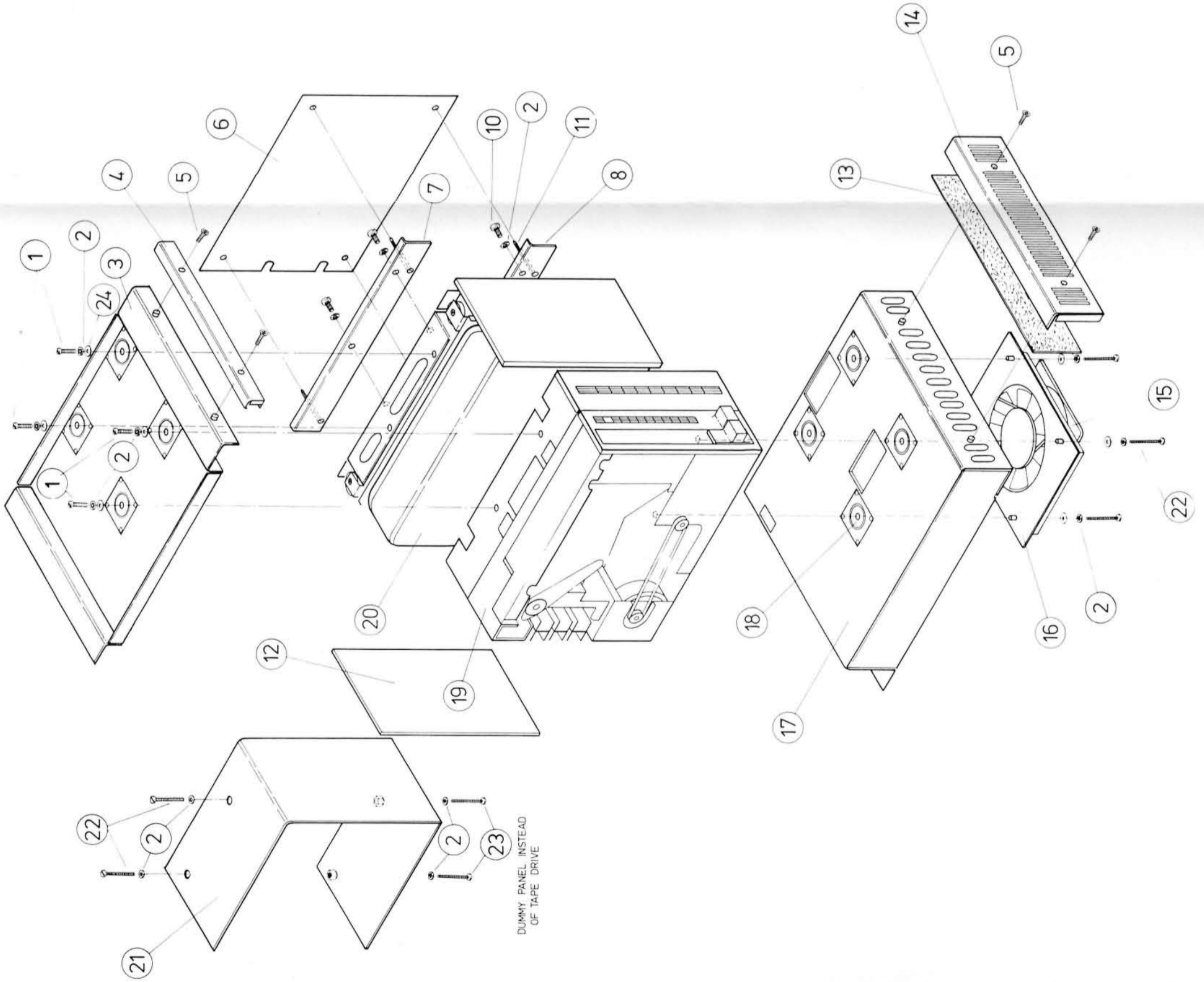
1	SPARE SWITCH 1
2	+12 VOLTS
3	WHEEL 2
4	+XV
5	WHEEL 1
6	-12 VOLTS
7	SPARE SWITCH 2
8	-5
9	SPARE SWITCH 3
10	LAMP 2
11	LAMP 1
12	SW1
13	SW2
14	POT 3
15	+20 VOLTS
16	-5 VOLTS
17	+5 VOLTS
18	POT 2
19	POT 1
20	GND

**20 WAY**

1	ANALOG 1 (BN)
2	PEDAL 1 (TR)
3	ANALOG 2 (OR)
4	PEDAL 2 (YL)
5	ANALOG 3 (GN)
6	PEDAL 3 (BLU)
7	SLAVE ADD 1 (VI)
8	SLAVE ADD 2 (GR)
9	SLAVE ADD 3 (WH)
10	SLAVE ADD 4 (BLK)
11	SLAVE GND (TR)
12	SLAVE DATA 1 (OR)
13	SLAVE DATA 2 (YL)
14	SLAVE DATA 3 (GN)
15	SLAVE DATA 4 (BLK)
16	FLAG TO ANK (BLU)
17	FLAG FROM ANK (VI)
18	GND (GR)
19	DATA TO ANK (WH)
20	DATA FROM ANK (BLK)

# HARD DISK REMOVAL AND RE-ASSEMBLY DM3142

REF. No.	PART No.	DESCRIPTION
1	H1080	SCREW, PHD, 6/32" X 1.25"
2	H0035	WASHER, STAR, M4
3	300/391	MOUNTING PLATE, HARD DISC UPPER
4	300/395	COVER PANEL, HARD DISC UPPER
6	G8080	CARD, CONTROLLER, ADAPTEC
7	300/397	SUPPORT, CONTROLLER CARD UPPER
8	300/398	SUPPORT, CONTROLLER CARD LOWER
10	H1052	SCREW, PHD, 6/32" X 1/4"
11	G5138	STANDOFF PILLAR, CARD
12	G0416	PANEL, PLASTIC DUMMY
13	P0020	FILTER, DUST
14	300/394	COVER PANEL, HARD DISC LOWER
15	G5434	FAN, 80 M.M.
16	300/393	PLATE, HARD DISC FAN
17	300/390	MOUNTING PLATE, HARD DISC LOWER
18	G8083	SHOCK MOUNT, RUBBER
19	G8092	DRIVE, STRM TAPE
20	G5020	DRIVE, HARD DISC 140MB
21	300/396	PANEL, HARD DISC DUMMY
22	H1077	SCREW, PHD, 6/32" X 1"
23	H1079	SCREW, PHD, 6/32" X 1.25"
26	H0007	WASHER, FLAT, 4BA



# FLOPPY DISK REMOVAL AND RE-ASSEMBLY DM 3003

REF. No.	PART No.	DESCRIPTION
1	300/377	END COVER, MAINFRAME
2	D8023	SWITCH, MAINS ENABLE
3	HARD DISC ASSEMBLY-SEE DRAWING #DM3142	
4	300/395	PANEL, HARD DISC COVER, UPPER
5	300/394	PANEL, HARD DISC COVER, LOWER
6	P0020	FILTER, DUST
7	DIGITAL CARD CAGE FRONT PANEL-SEE DRAWING #DMC044	
8	G5018	FLOPPY DISC DRIVE
9	300/432	BLANK PLATE, FRONT PANEL
10	H1072	SCREW, PZ CSK, M4 X 10
12	300/368	END CHEEK, DIGITAL CARD CAGE
13	G5426	KNOB
14	300/409	BRACE, CARD CAGES
15	H1070	SCREW, PZ CSK BLACK, M4 X 25
16	300/407	PANEL, MAINFRAME TOP COVER
17	H0035	WASHER, STAR, M4
18	H1074	SCREW, PZ PHD, M4 X 6
19	300/388	MOUNTING, DISC DRIVE PLATE, UPPER
20	300/389	MOUNTING, DISC DRIVE PLATE, LOWER
21	H2014	NUT, NYLOC, M5
22	300/422	FRAME, MAINFRAME TUBING SET

