

**CMI-40**

**4 MEG RAM**





# ESP

## FIELD CHANGE NOTICE

Field Change  
Notice No

78

PRODUCT

CMI

CVI

ORIGINATOR:

Chris Alfred

DATE:

06 / 09 / 91

ASSEMBLY No:

CMI-40

DESCRIPTION:

4 Meg RAM card

This FCN applies to rev No:

2.2

The New rev No is:

2.3

### REASONS FOR CHANGE:

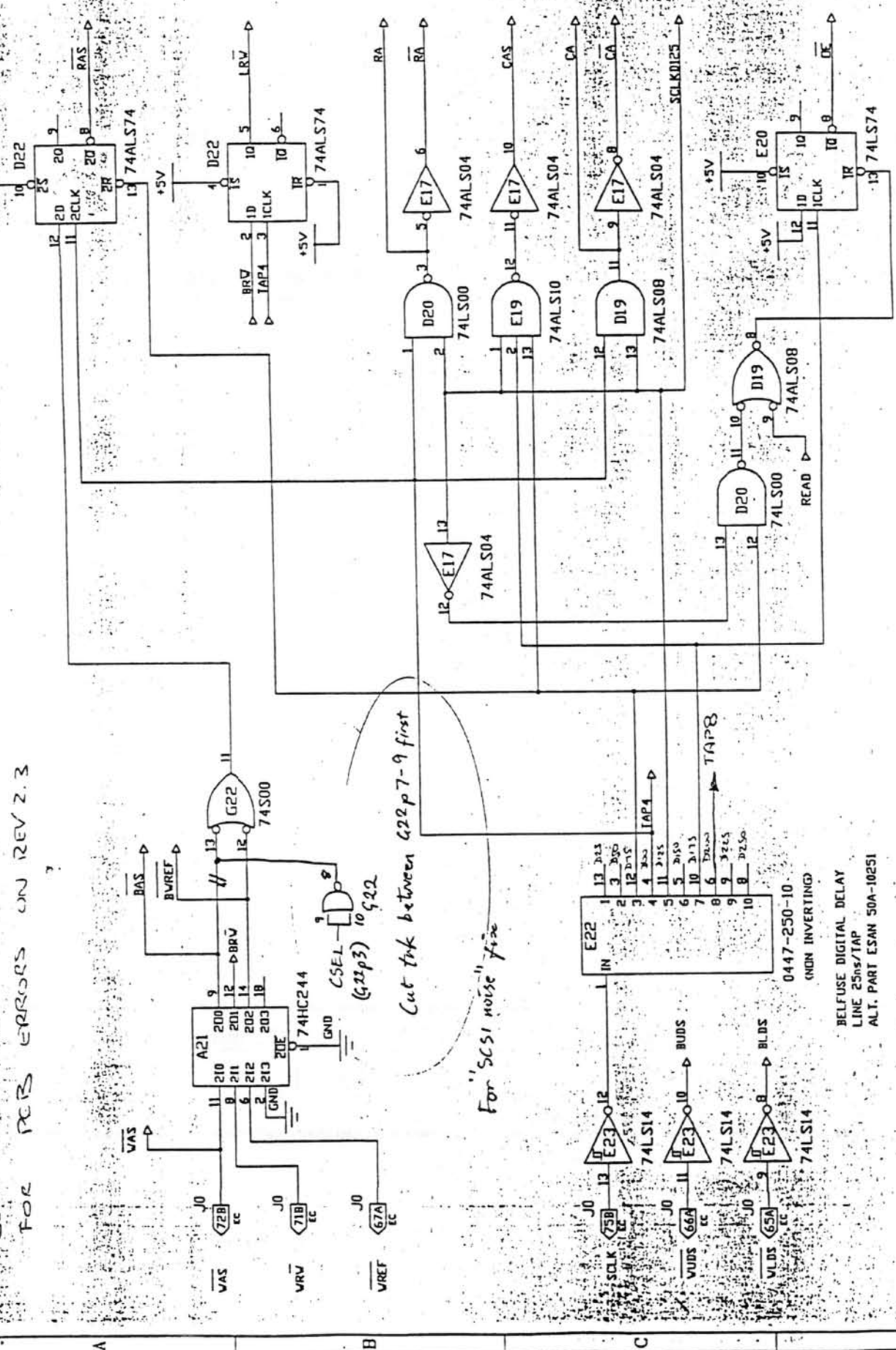
PCB track missing

### DETAILS OF CHANGE:

1. Connect D16 (50256) pin 11 to D15 (50256) pin 11.

DEPT	SIGNATURE	DATE	COMMENTS
Project Manager	<i>- C. Alfred</i>	6/9/1991	
Customer Service	<i>Harco Paulus</i>	6/9/91	

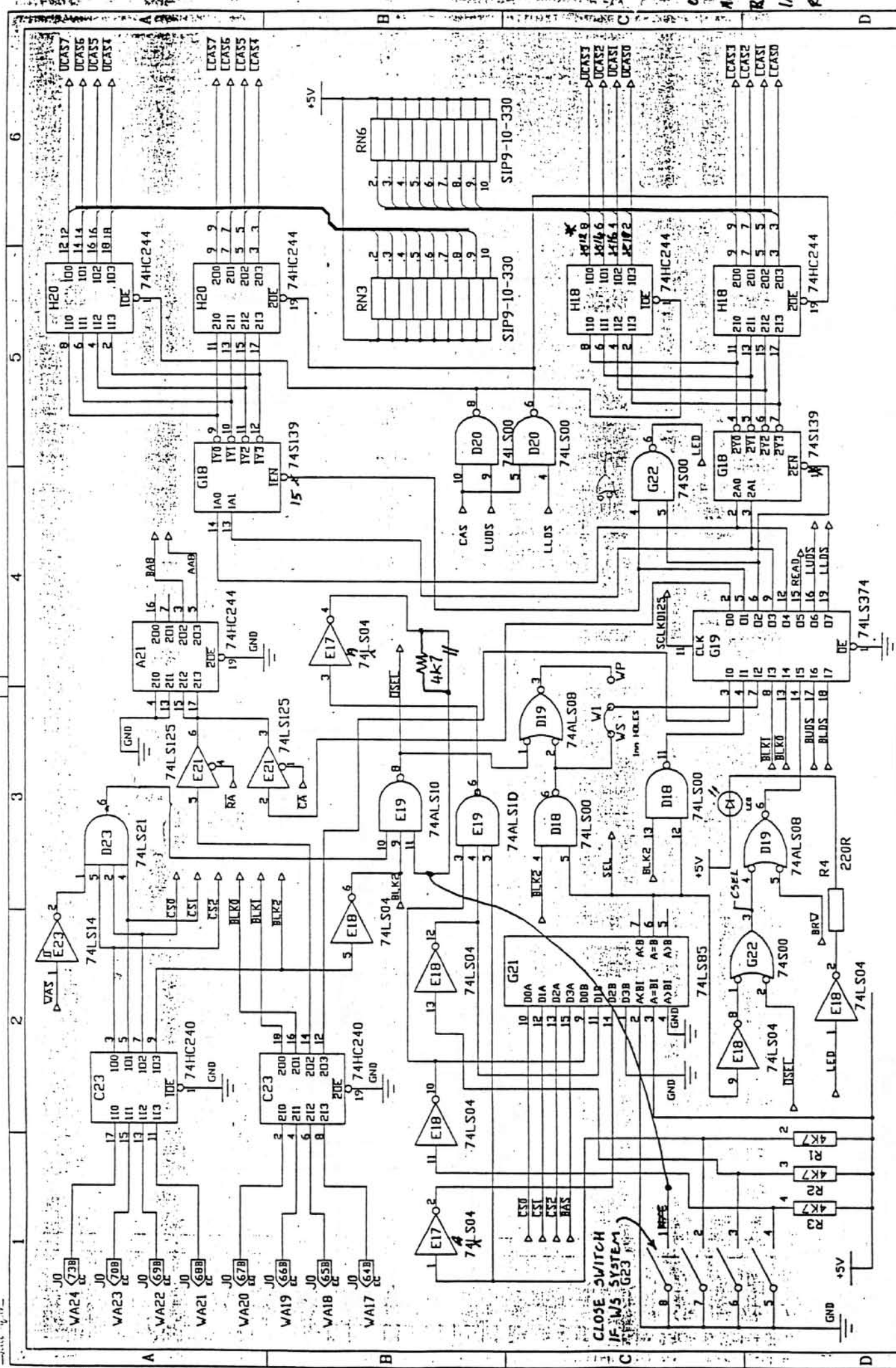
SEE BACK OF LAST SHEET FOR PCB ERRORS ON REV 2.3



FAIRLIGHT INSTRUMENTS

DATE	TIMING GENERATION	CHECKED BY	REDO	DO BOARD	DRAWING-NO	SHEET-NO	PLOT
10/11/87					CM140-01 REV 2.3	05	5

W FOR RA M BOARD



FAIRLIGHT INSTRUMENTS.

WAVEFORM RAM 2M WORD

CM140-02 REV 2.2

SHEET-NO 2 OF 5

PLOT 6

DECODING

CHECKED BY

REDO

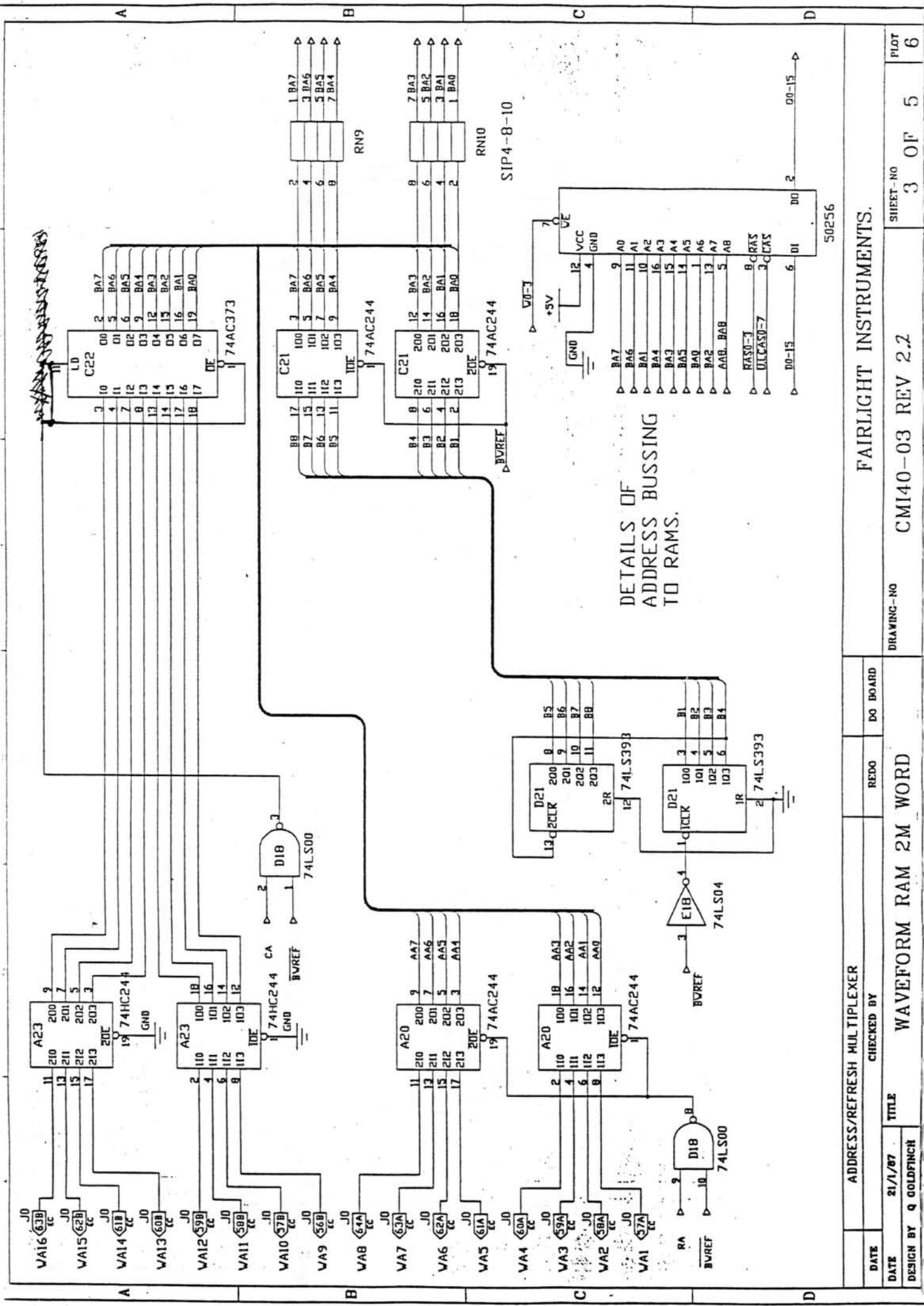
DO BOARD

DATE

12/1/87

DESIGN BY G GOLDFINCH

TITLE



FAIRLIGHT INSTRUMENTS.

WAVEFORM RAM 2M WORD

CM140-03 REV 2.2

DRAWING-NO

SHEET-NO

PIOT

DATE 21/1/87  
DESIGN BY Q GOLDFINCH

TITLE

DO BOARD

REDO

ADDRESS/REFRESH MULTIPLEXER  
CHECKED BY

3 OF 5

6

50256

00-15

00-15

00-15

00-15

00-15

00-15

00-15

00-15

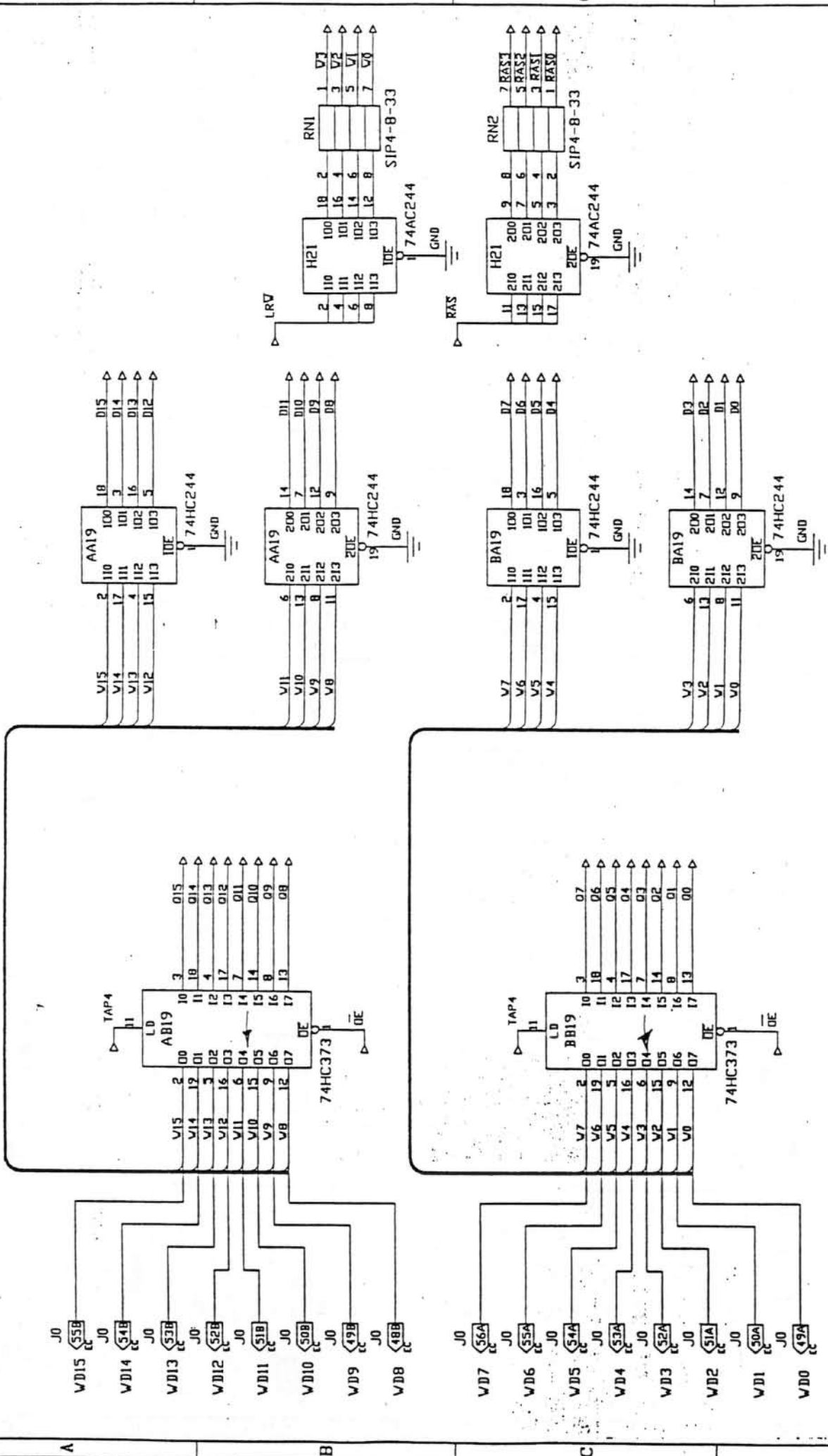
00-15

00-15

00-15

00-15

00-15



DATE 21/1/87  
 DESIGN BY Q.GOLDFINCH

DATA BUSS INTERFACE  
 CHECKED BY  
 REDO

DO BOARD

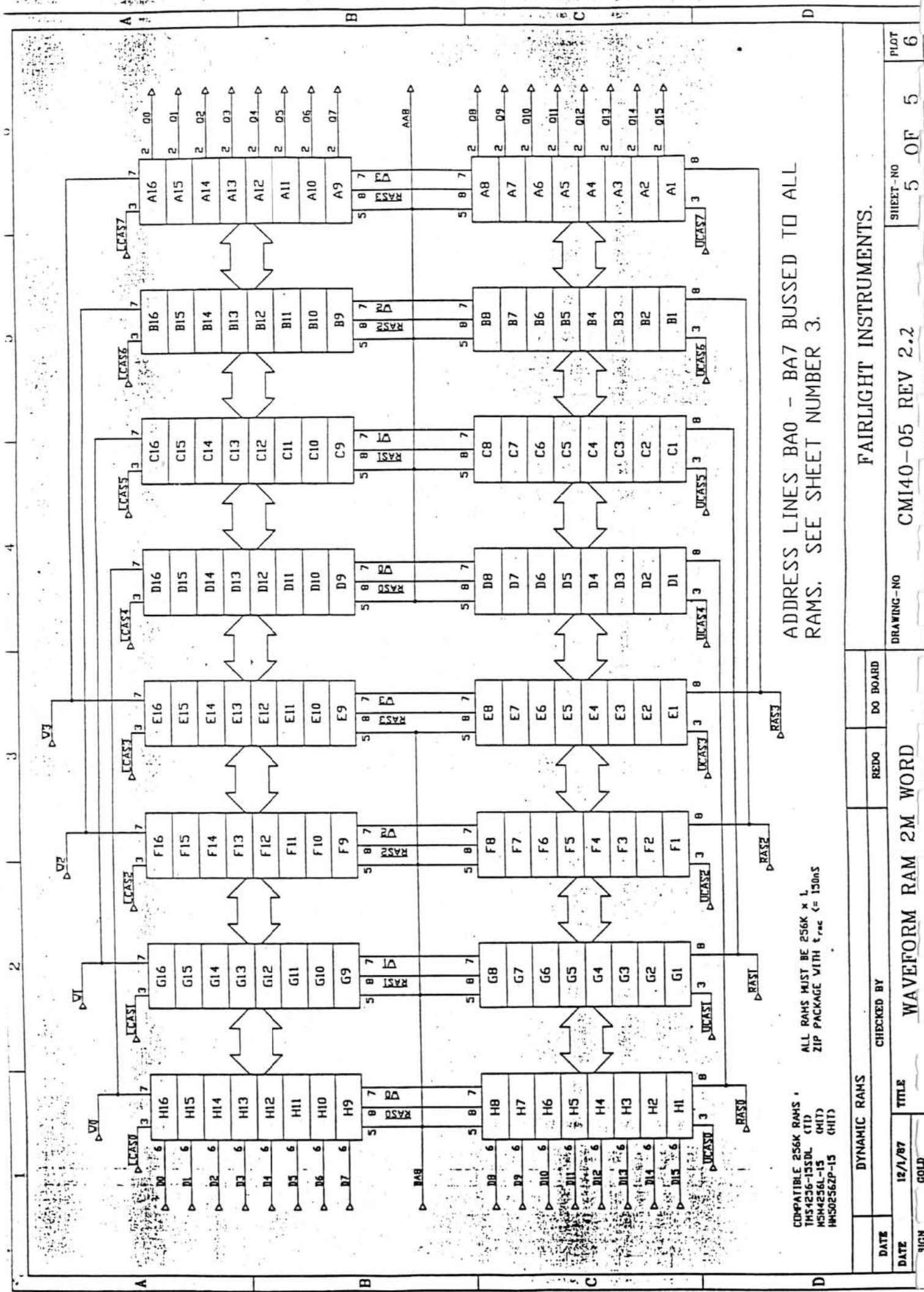
WAVEFORM RAM 2M WORD

DRAWING-NO CMI40-04 REV 2.2

SHEET-NO 4 OF 5

PLOT 6

FAIRLIGHT INSTRUMENTS.



ADDRESS LINES BA0 - BA7 BUSSED TO ALL RAMS. SEE SHEET NUMBER 3.

COMPATIBLE 256K RAMS  
 TMS4256-15DL (T1)  
 MSM4256L-15 (H1)  
 HM50256ZP-15 (H1T)

ALL RAMS MUST BE 256K x 1,  
 ZIP PACKAGE WITH  $t_{rac} \leq 150ns$

DATE		CHECKED BY		REDO		DO BOARD		DRAWING-NO		SHEET-NO		PLOT	
12/1/87								CMI40-05 REV 2.2		5 OF 5		6	
DYNAMIC RAMS												FAIRLIGHT INSTRUMENTS.	
WAVEFORM RAM 2M WORD													
TITLE													
GOLD													