

# MFx "ESC" KEY REFERENCE

"ESC" THEN:	DESCRIPTION	COMMENTS
A	Shows clip and recording time as would be seen in "ATM"	Time in Hrs.:Min.:Frames
B	NONE	
C	Shows channel card activity	
D	Shows disks on-line as set in MDR_DEVICES	
E	NONE	
F	Shows opening project page	
G	NONE	
H	NONE	
I	NONE	
J	Shows J kernel activity and processors	For Fairlight diagnostics
K	NONE	
L	NONE	
M	Shows MARK points for current project	As seen in "BLUE" EDIT MARK
N	NONE	
O	NONE	
P	NONE	
Q	Shows RAM buffers loading information	For Fairlight diagnostics
R	NONE	
S	Shows system information	As seen in project
T	Shows tracks.pl current open project	For Fairlight diagnostics
U	Shows waveform dump of 22 samples to the left of the cursor	
V	NONE	
W	Shows waveform information for recovering waveforms	Type "RW" space "wave no." space "wave no." <ret> for stereo
X	NONE	Type "RW" space "wave no." <ret> for mono will return clip to selected track.
Y	NONE	For Fairlight diagnostics. Should be noted and reported to Fairlight if system failure occurs
Z	Shows MFx / Disk recorder instruction log for system	
<SHIFT> ?	Shows above options "help" menu	



ASSEMBLY: MFX CONSOLE  
DATE: 9 July 1992

### MACHINE CONTROL TEST

#### TEST CONDITIONS

1. Fairlight up and running.
2. Video machine turned on.
3. Video machine connected to the RS422 port on the Fairlight main frame.
4. Tape inserted into the video machine. Video machine set to **local** control.

#### ACTION

#### RESULT

- |  |  |
|--|--|
| 1. Play video  | Time code indicator ON   |
| 2. Set video machine to <b>remote</b> .                                    |  |
| 3. Press <b>SET UP</b> key on MFX console.<br>(in top right group of keys) | Setup led ON, also display will show setup menu.   |
| 4. Press TRK key 4 (function)  | TRK key 4 led ON   |
| 5. Press MACHINE soft key  | Soft key led FLASHES   |
| 6. Move JOG wheel until Sony 1.1 appears under MACHINE in display.         |  |
| 7. Press ENTER   | Led OFF  |
| 8. Press SYNC soft key   | Soft key led Flashes   |
| 9. Move JOG wheel until MFX appears under SYNC in display.                 |  |
| 10. Press ENTER  | Led OFF  |
| 11. Press TRK key 2 (mstr)   | TRK key led ON   |
| 12. Press MASTER key<br>(lower right of console)                           | Current location of video machine will show in top display.  |
| 13. Press PLAY on MFX  | Play key led ON, time code readout will advance on video machine and on the top line of MFX display. |

cont.



14. Press STOP key on MFX

Check same time code is displayed on MFX top line and on video machine.

15. Check all transport controls FF / REW / JOG / SHUTTLE

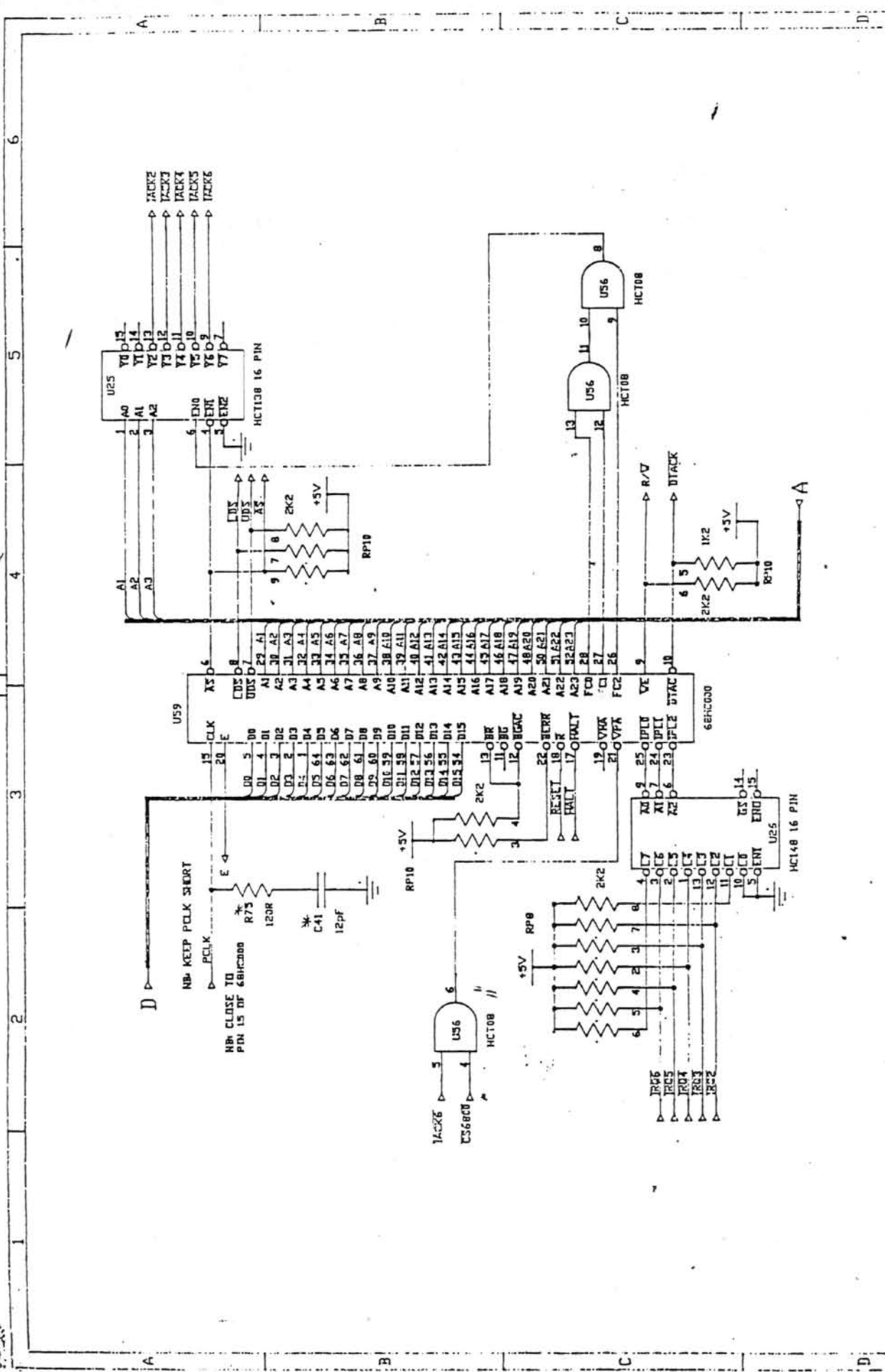
16. Press GOTO key and enter a time code within the range of current video tape and press ENTER

Video machine will go to that time code location.

17. Hold BLUE key then press CLEAR

Sub frame counter will appear / disappear.

Components marked \* are no longer used.

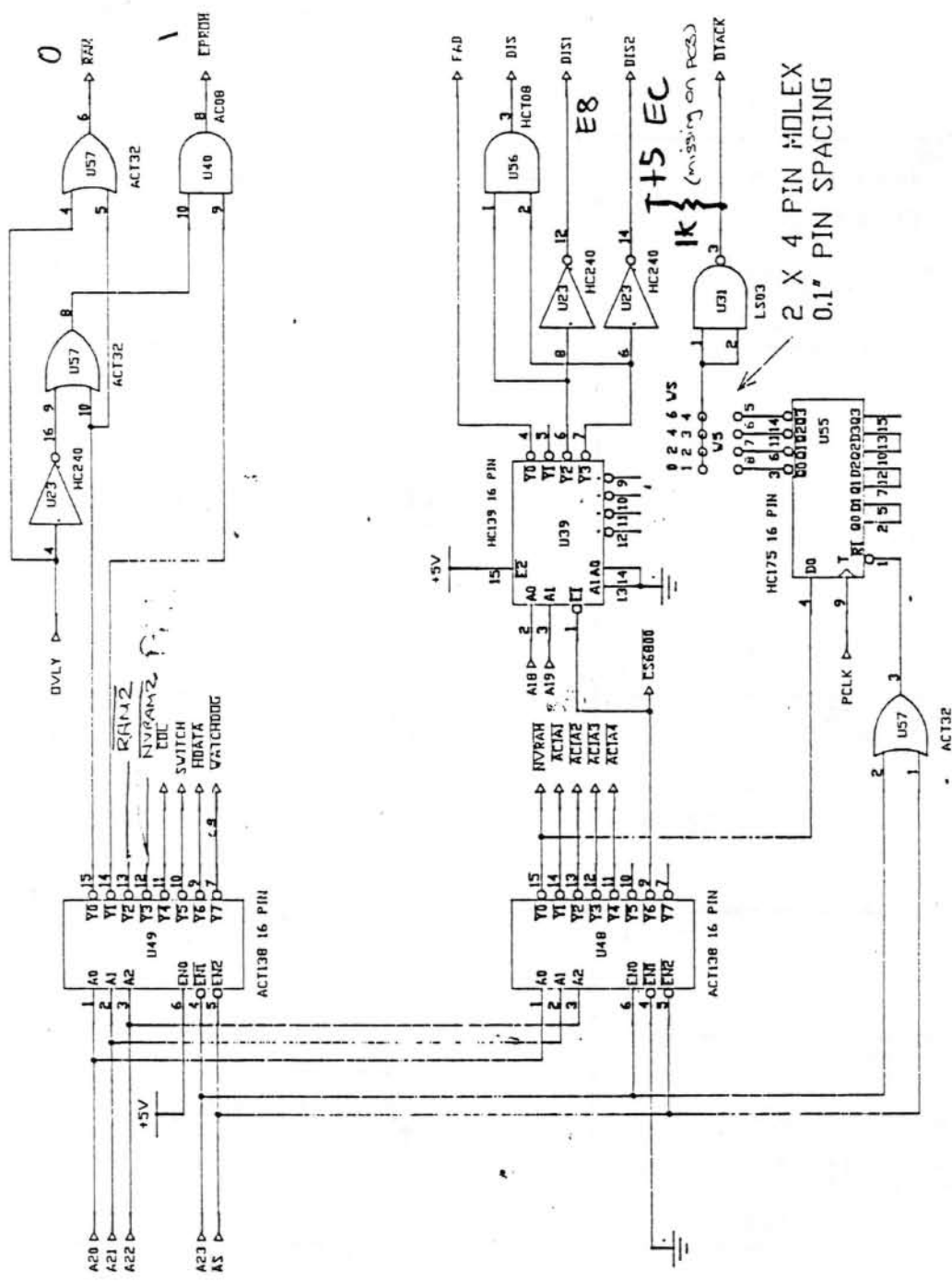


ZONE	DESCRIPTION	ISSUE	DATE	APP'D	FAIRLIGHT INSTRUMENTS	1	
DATE	JUNE 88	MAIN PROCESSOR				SHEET-NO	ONE OF ONE
DESIGN BY	S. TYLER					DRAWING-NO	MF X010.001
						ISSUE	ONE OF ONE

SATCAMP

1 2 3 4 5 6

A B C D



ZONE	DESCRIPTION	ISSUE	DATE	APP'D	DRAWING-NO MFX010.002	SHEET-NO ONE OF ONE
DATE	TITLE	ADDRESS DECODING				
DESIGN BY	S. TYLER					

FAIRLIGHT INSTRUMENTS 2

ONE OF ONE

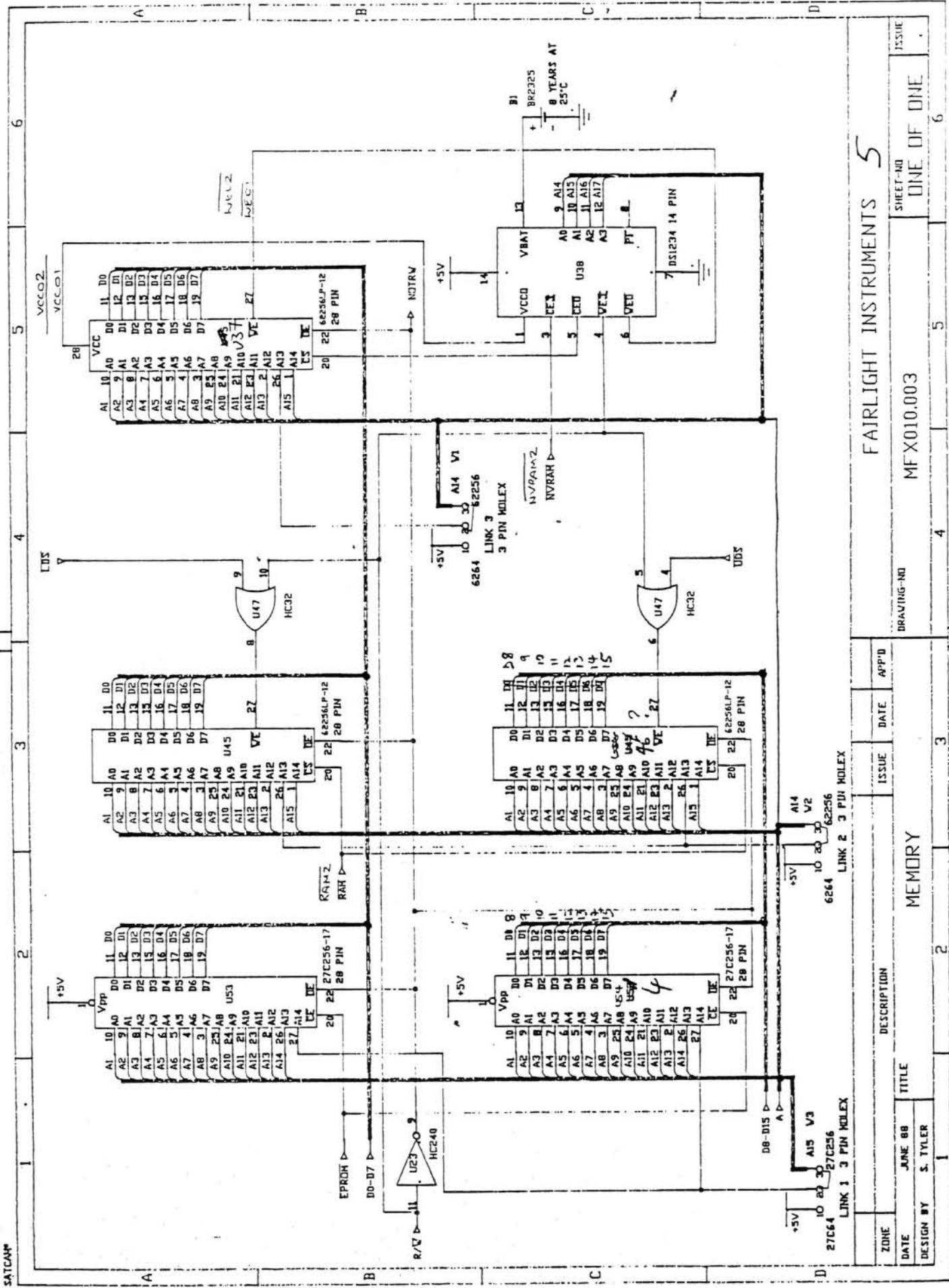
MFX010.002

DRAWING-NO

ADDRESS DECODING

JUNE 88  
S. TYLER

15501



SATCAM

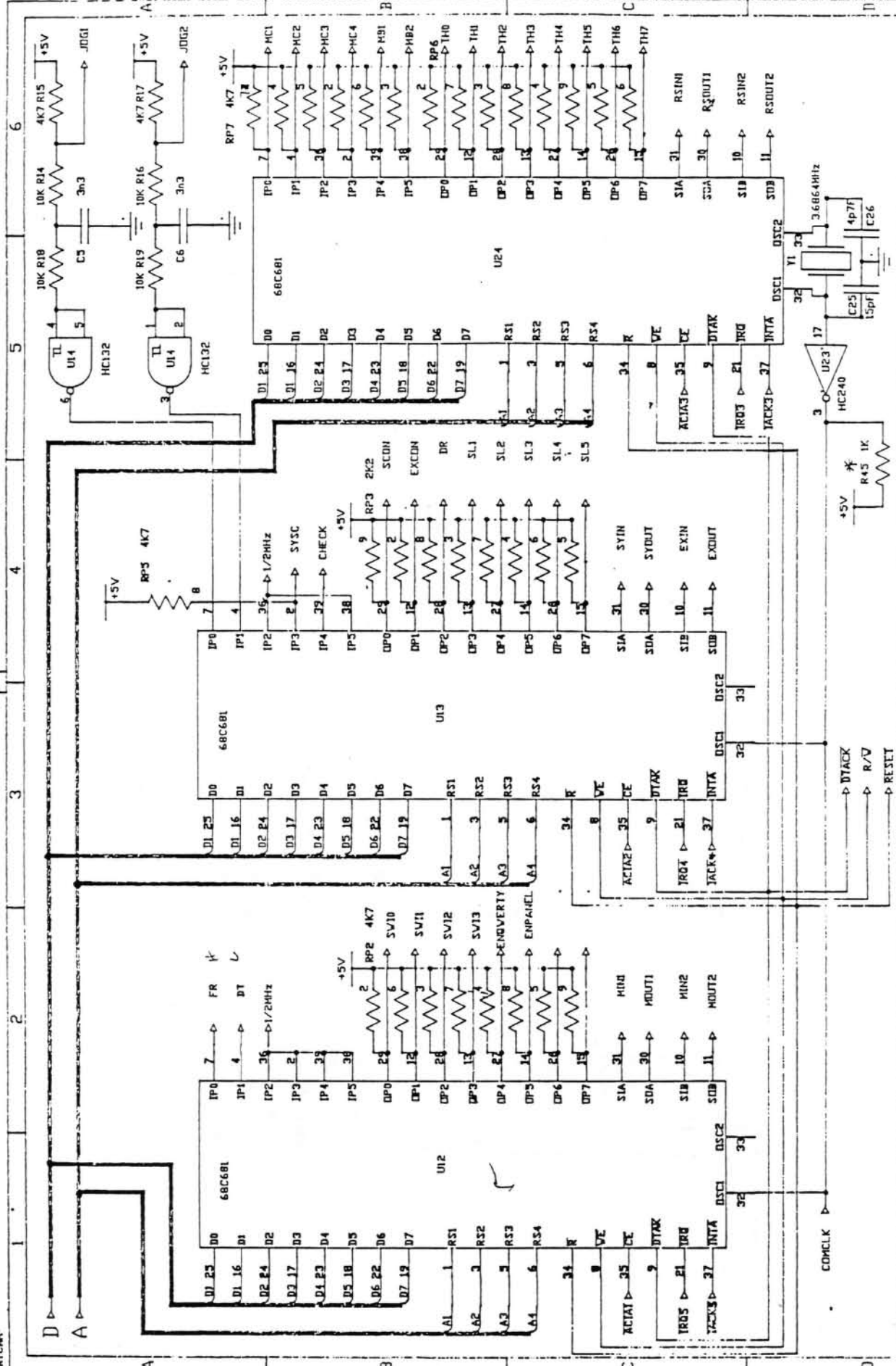
ZONE	DESCRIPTION	ISSUE	DATE	APP'D
1	MEMORY			
2				
3				
4				
5				
6				

DRAWING-NO MF X010.003  
 SHEET-NO ONE OF ONE  
 ISSUE ONE OF ONE

FAIRLIGHT INSTRUMENTS

5

SATCAM



ZONE	DATE	ISSUE	DESCRIPTION	APP'D	ISSUE NO
1	JUNE 88	1	DESCRIPTION		6
2		2			ONE OF ONE
3		3			
4		4			
5		5			
6		6			

FAIRLIGHT INSTRUMENTS  
 MFX010.004

DRAWING-NO

SERIAL COMMUNICATIONS

TITLE  
 DESIGN BY .S. TYLER

DATE  
 JUNE 88

ISSUE



SATCAMP

6

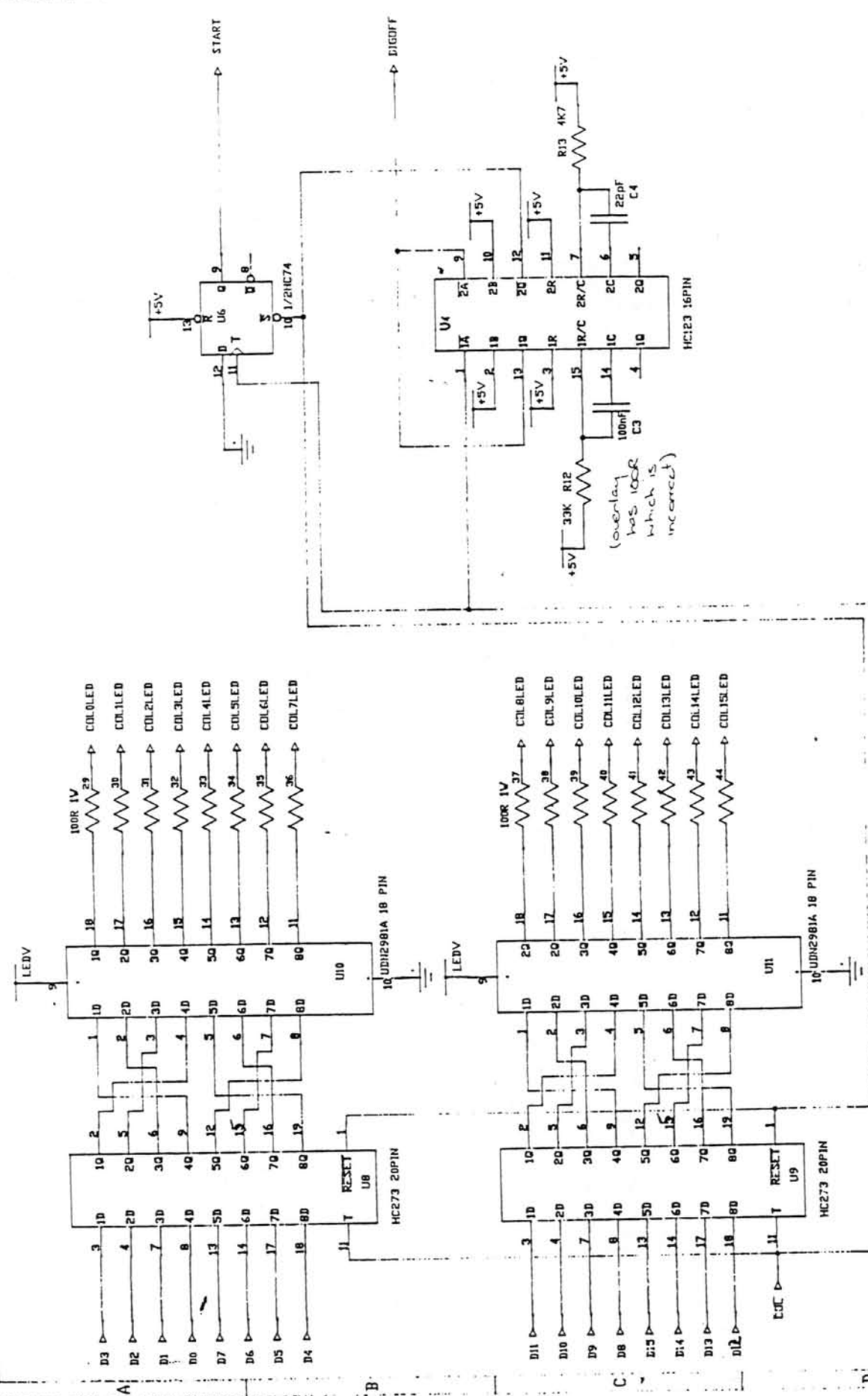
5

4

3

2

1



ZONE	DESCRIPTION	ISSUE	DATE	APP'D	DRAWING-NO	SHEET-NO	ISSUE
1	LED DRIVERS (COL)				MF X010.006	ONE OF ONE	ONE OF ONE
2							
3							
4							
5							
6							

FAIRLIGHT INSTRUMENTS 10

ONE OF ONE

MF X010.006

DRAWING-NO

SHEET-NO

ISSUE

DATE

APP'D

TITLE

DESIGN BY

JUNE 88

S. TYLER

LED DRIVERS (COL)

DATE

ISSUE

DATE

APP'D

TITLE

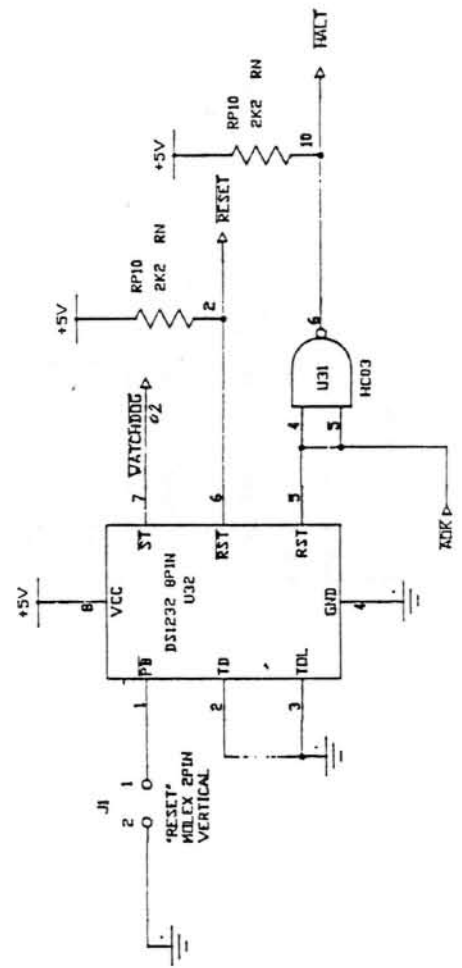
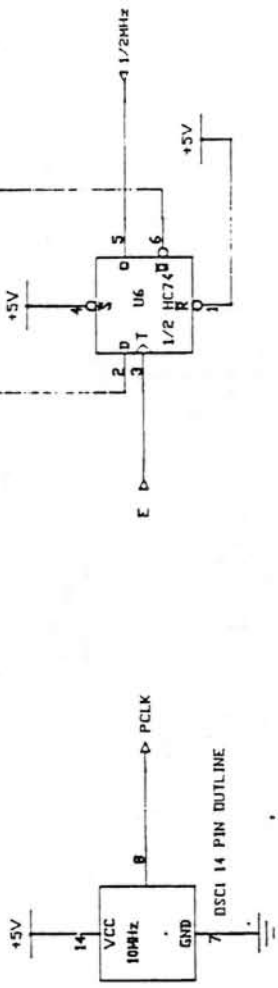
DESIGN BY



SATICAM

2 3 4 5 6

A B C D



ZONE		DESCRIPTION		ISSUE		DATE		APP'D		DRAWING-NO		SHEET-NO		ISSUE	
DATE	DESIGN BY	WATCHDOG & CLOCKS		WATCHDOG & CLOCKS		WATCHDOG & CLOCKS		WATCHDOG & CLOCKS		WATCHDOG & CLOCKS		WATCHDOG & CLOCKS		WATCHDOG & CLOCKS	
JAN 88	S. TYLER									MFX010.008		ONE OF ONE		ONE OF ONE	

FAIRLIGHT INSTRUMENTS 12

ONE OF ONE

MFX010.008

DRAWING-NO

WATCHDOG & CLOCKS

TITLE

JAN 88

S. TYLER

DESIGN BY

DATE

ISSUE

ONE OF ONE

ONE OF ONE

SHEET-NO

DRAWING-NO

WATCHDOG & CLOCKS

WATCHDOG & CLOCKS

WATCHDOG & CLOCKS

WATCHDOG & CLOCKS

WATCHDOG & CLOCKS

WATCHDOG & CLOCKS

WATCHDOG & CLOCKS

WATCHDOG & CLOCKS

WATCHDOG & CLOCKS

WATCHDOG & CLOCKS

WATCHDOG & CLOCKS

WATCHDOG & CLOCKS

WATCHDOG & CLOCKS

WATCHDOG & CLOCKS

WATCHDOG & CLOCKS

WATCHDOG & CLOCKS

WATCHDOG & CLOCKS

WATCHDOG & CLOCKS

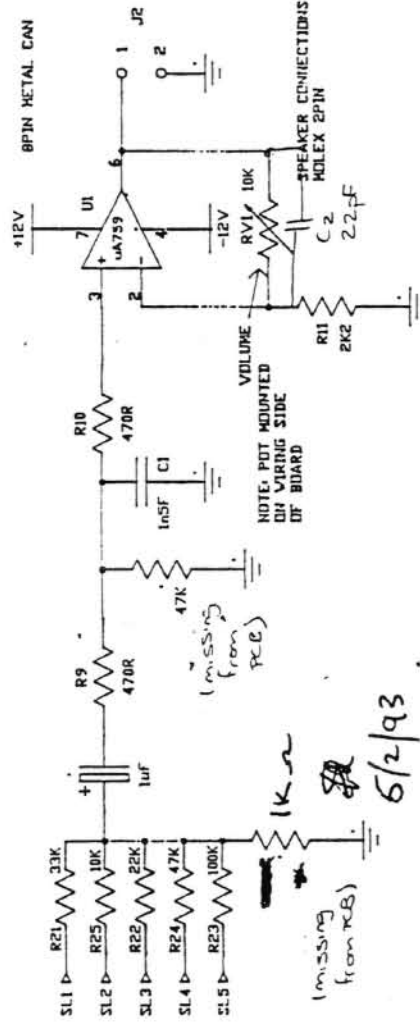
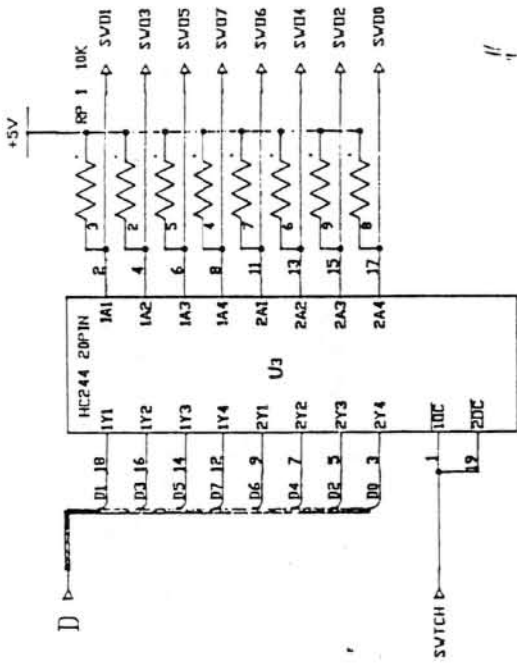
WATCHDOG & CLOCKS

WATCHDOG & CLOCKS

WATCHDOG & CLOCKS

SATCAM

2 3 4 5 6



FAIRLIGHT INSTRUMENTS 13

SHEET-NO ONE OF ONE

DRAWING-NO

KEY SCANNING AND BEEPER

TITLE

DATE JUNE 88

DESIGN BY S. TYLER

DESCRIPTION

ISSUE

DATE

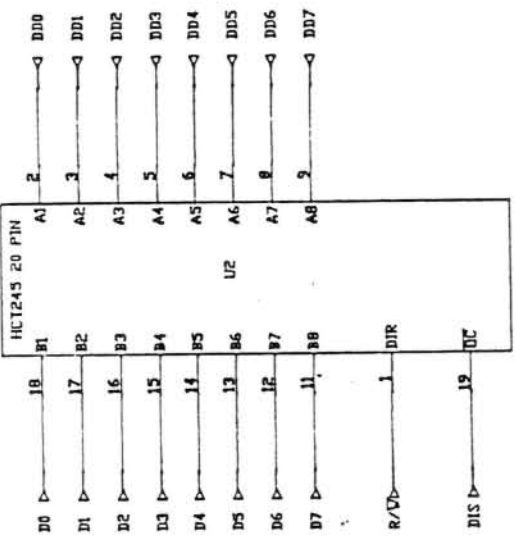
APP'D

ZONE

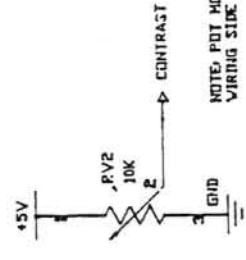
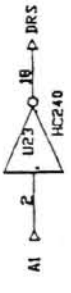


SATCAMP

1 2 3 4 5 6



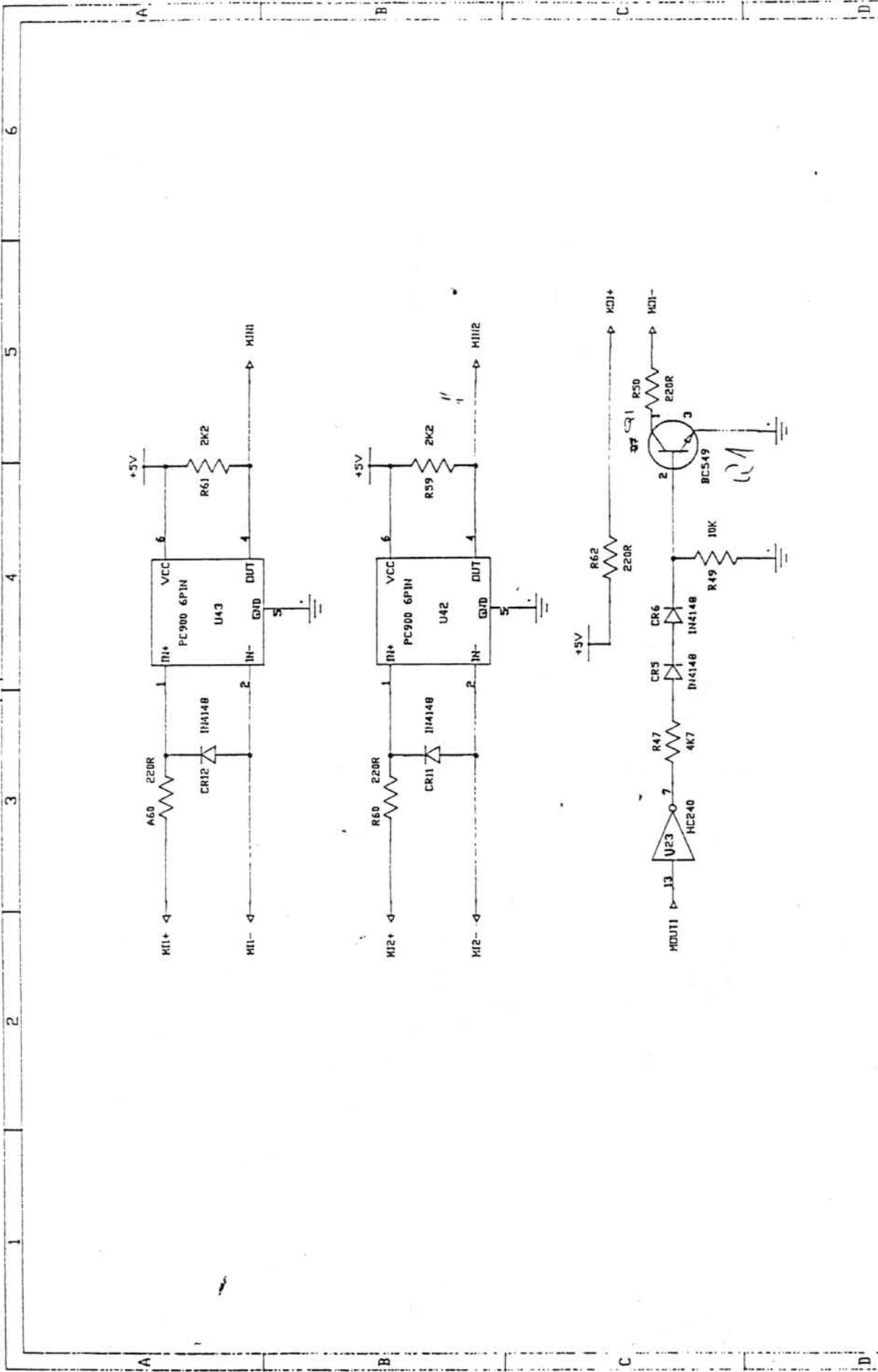
U26 p3



ZONE		DESCRIPTION		ISSUE	DATE	APP'D	DRAWING-NO		SHEET-NO		ISSUE
DATE	APRIL 86	DISPLAY DATA BUFFER					MFX010.011		ONE OF ONE		6
DESIGN BY	S. TYLER										6

FAIRLIGHT INSTRUMENTS 16

SATCAN



FAIRLIGHT INSTRUMENTS 15

SHEET-NO ONE OF ONE

DRAWING-NO MFX010.015

AP'D

DATE

DESCRIPTION MIDI DRIVERS

TITLE

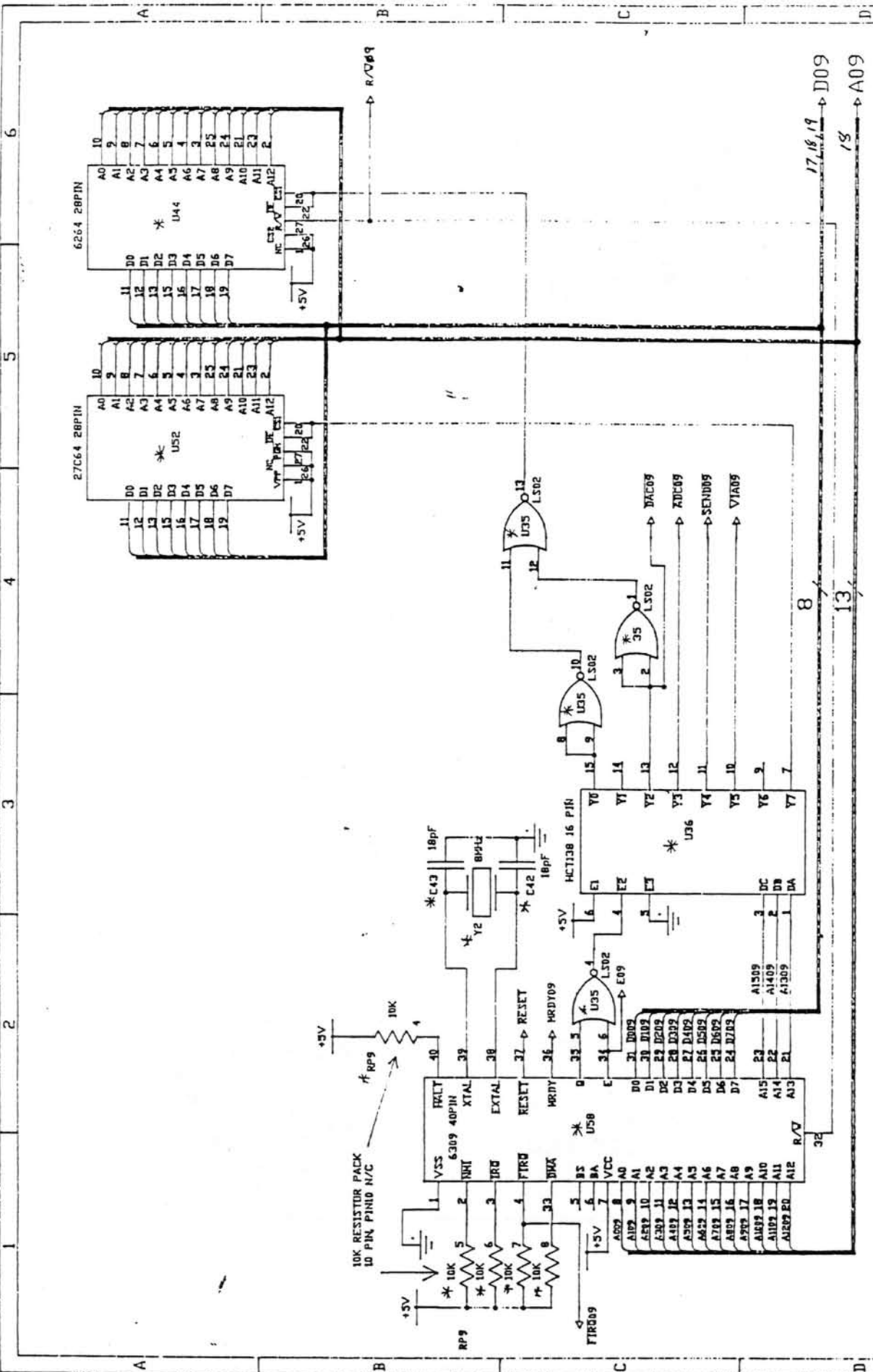
DATE JUNE 88  
DESIGN BY S. TYLER

ZONE

1 2 3 4 5 6



SATCAN



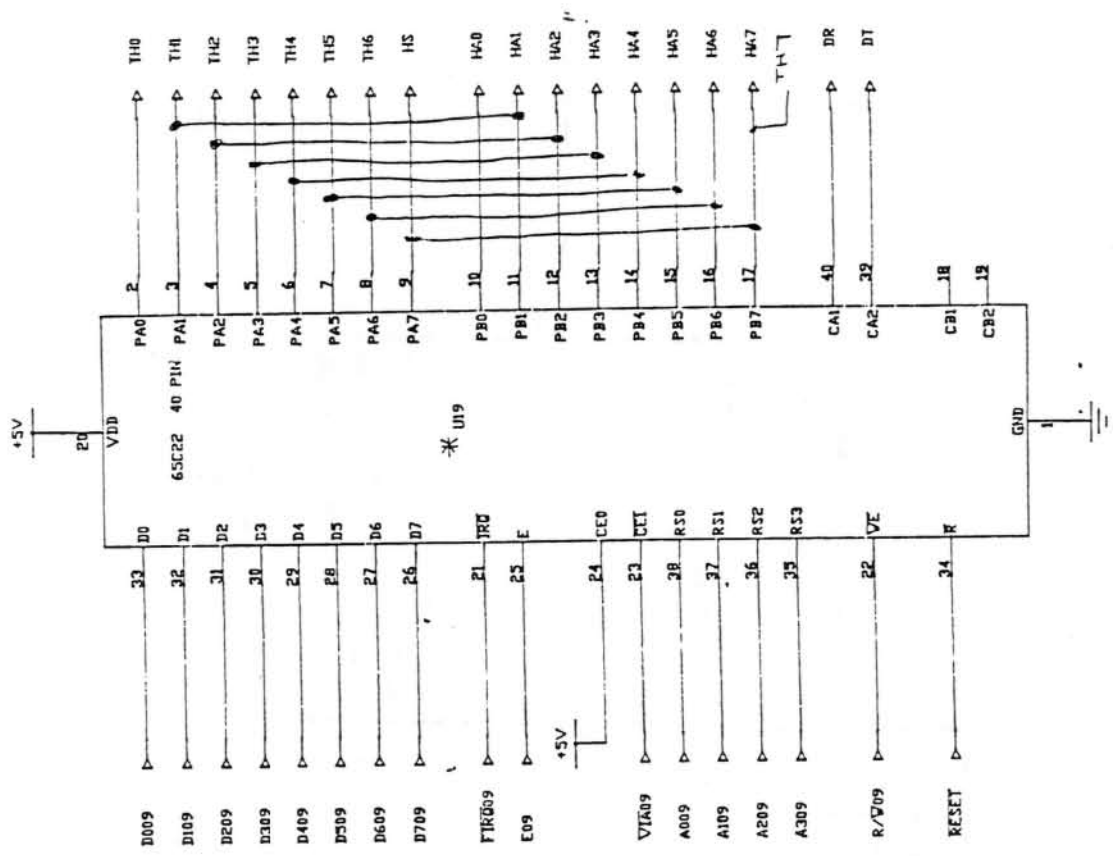
ZONE		DESCRIPTION		ISSUE	DATE	APP'D
DATE	JUNE 88	TITLE		SLAVE PROCESSOR		
DESIGN BY	S. TYLER	DRAWING-NO		MFX010.020		
FAIRLIGHT INSTRUMENTS		SHEET-NO		ONE OF ONE		
8		ISSUE		6		



SATC:RAM

1 2 3 4 5 6

A B C D



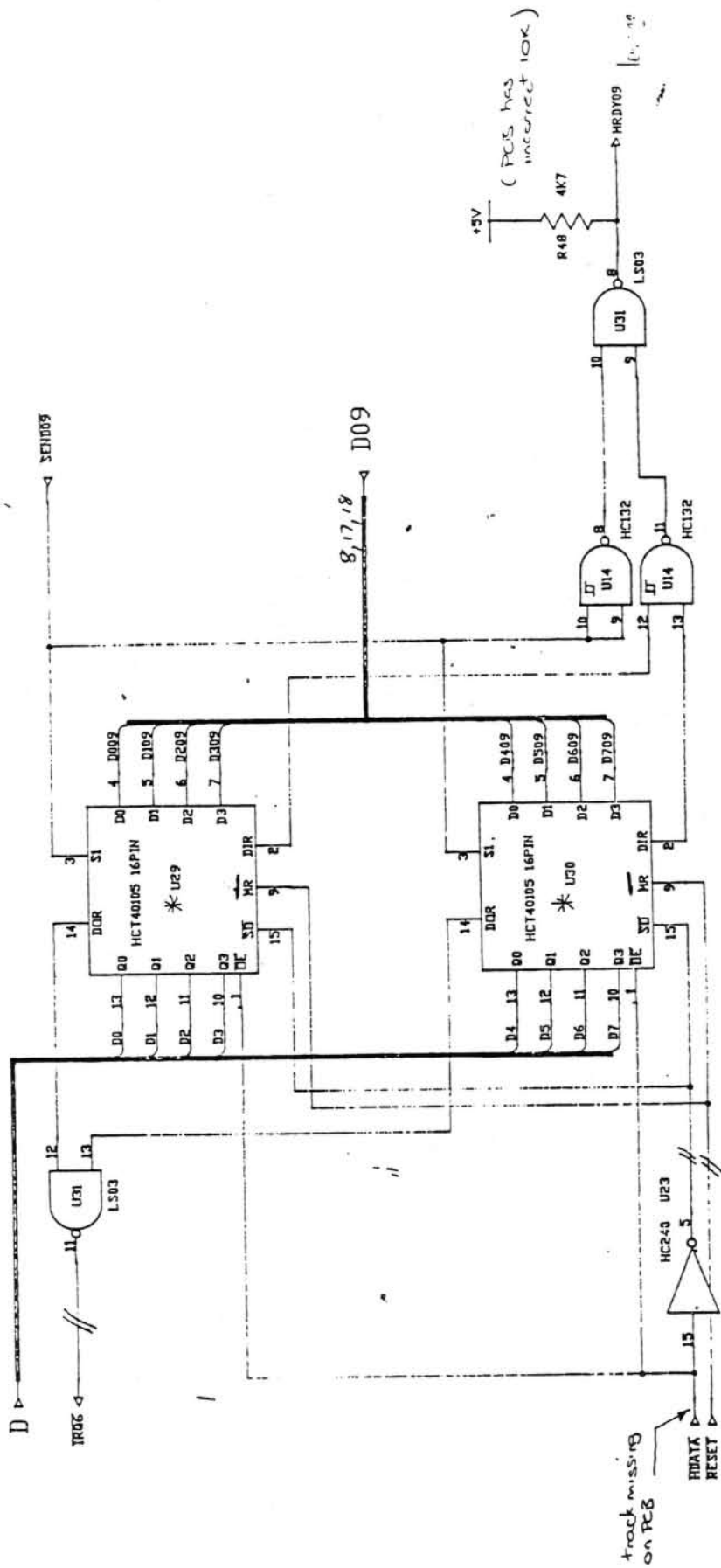
8,17,19 D09

8 A09

ZONE	DESCRIPTION	ISSUE	DATE	APP'D	DRAWING-NO	SHEET-NO	ISSUE
DATE	JUNE 88	TITLE	HALL SELECT AND SLAVE COMMS		MF X010.022	ONE OF ONE	6
DESIGN BY	S. TYLER						

FAIRLIGHT INSTRUMENTS 18

SATCAM

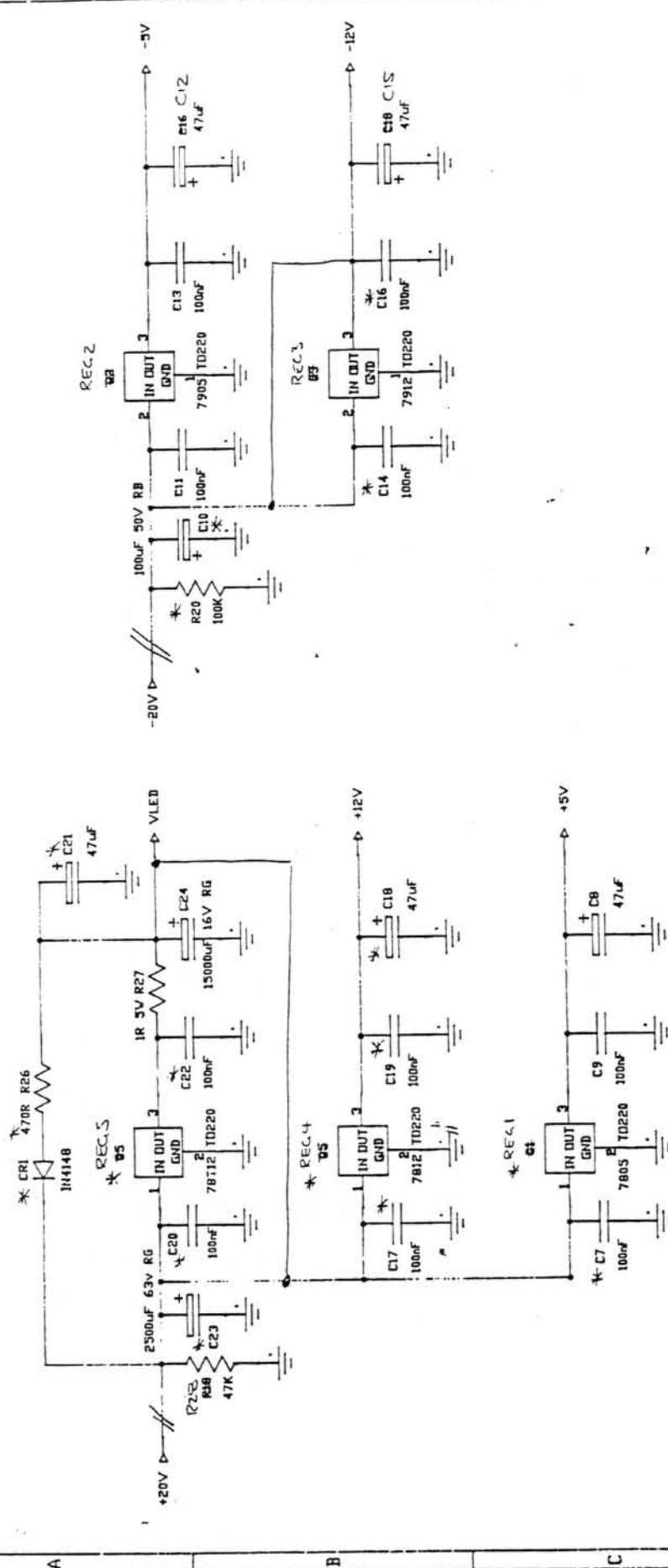


1 2 3 4 5 6

A B C D

ZONE		DESCRIPTION		ISSUE	DATE	APP'D	DRAWING-NO		SHEET-NO		ISSUE
		SLAVE COMMUNICATION					MFX010.030		ONE OF ONE		
DATE	JUNE 88	TITLE									
DESIGN BY	S. TYLER										

FAIRLIGHT INSTRUMENTS 19



ORIGINAL

ZDVE		DESCRIPTION		ISSUE	DATE	APP'D
DATE	JUNE 88	TITLE	POWER SUPPLIES			
DESIGN BY	S. TYLER					
			DRAWING-NO	MFX010.035		
			SHEET-NO	ONE OF ONE		
			ISSUE	20		

SATCAP

2 3 4 5 6

1	SWD0	26	COL9LED	1	-12V
2	SWD1	27	COL10LED	2	-5V
3	SWD2	28	COL11LED	3	GND
4	SWD3	29	COL12LED	4	+5V
5	SWD4	30	COL13LED	5	+12V
6	SWD5	31	COL14LED	6	RDW0LED
7	SWD6	32	COL15LED	7	RDW1LED
8	SWD7	33	HA2	8	RDW2LED
9	SWI0	34	HA3	9	RDW3LED
10	SWI1	35	HA4	10	RDW4LED
11	SWI2	36	HA5		
12	SWI3	37	HA6		
13	ENQWERTY	38	HA7		
14	ENPANEL	39	SH1 MCI		
15	N/C	40	SH2 MC2		
16	N/C	41	SH3 MC3		
17	COL0LED	42	IH1		
18	COL1LED	43	IH2		
19	COL2LED	44	IH3		
20	COL3LED	45	N/C		
21	COL4LED	46	N/C		
22	COL5LED	47	N/C		
23	COL6LED	48	N/C		
24	COL7LED	49	N/C		
25	COL8LED	50	N/C		

SIGNAL CONNECTOR  
50 PIN IDC BENT

J9

KEY POWER CONNECTOR X 2  
10 PIN MOLEX STRAIGHT

J10 & J11

ZONE	DESCRIPTION	ISSUE	DATE	APP'D	FAIRLIGHT INSTRUMENTS	
DATE	JUNE 88	KEY CONNECTORS			DRAWING-NO	MFX010.040 Rev 1
DESIGN BY	S. TYLER				SHEET-NO	ONE OF ONE
					ISSUE	ONE

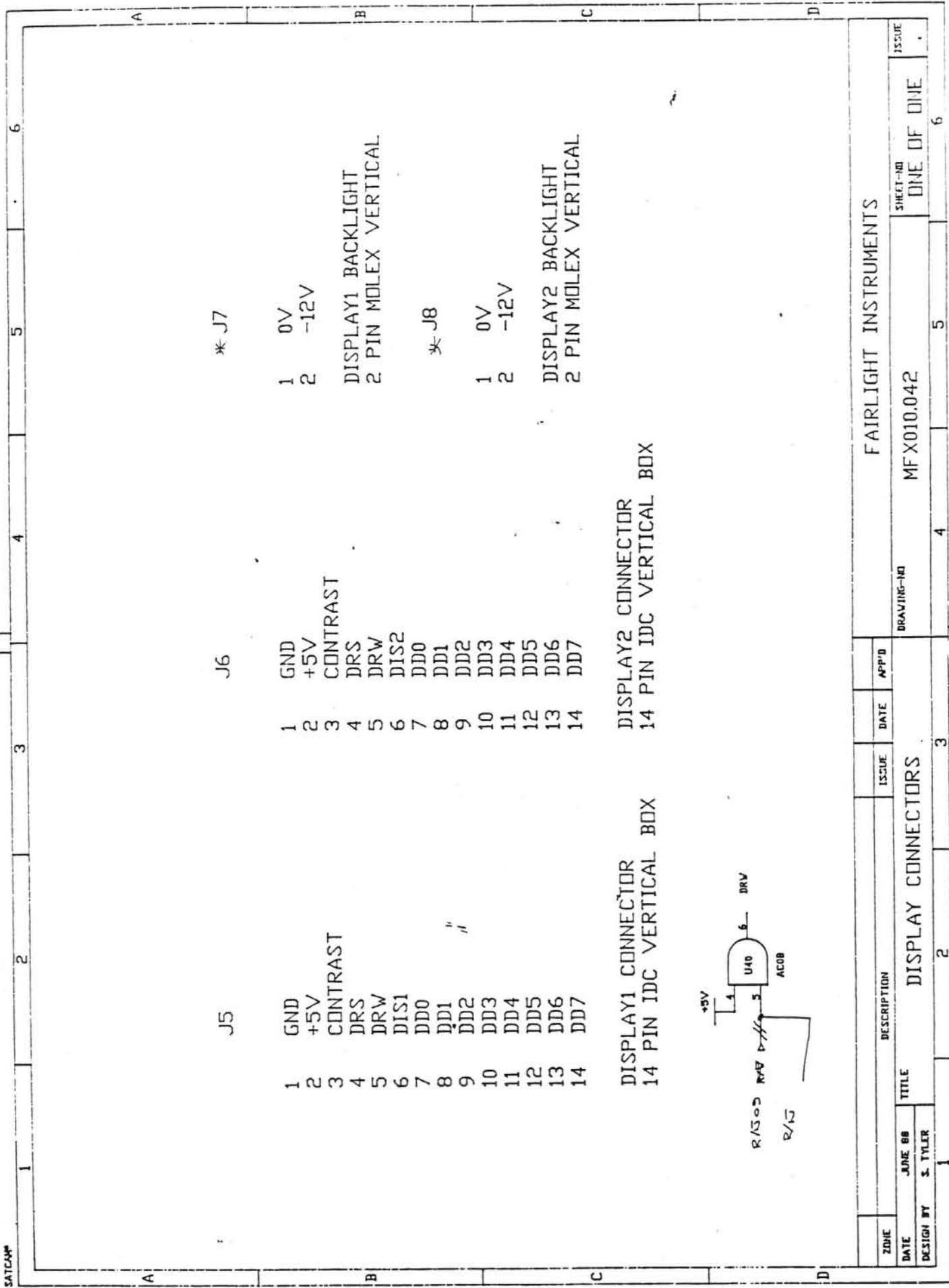
SATURDAY

2 3 4 5 6

- 1 SW00UT
- 2 SW10UT
- 3 SW20UT
- 4 N/C
- 5 SW00
- 6 SW01
- 7 SW02
- 8 SW03
- 9 SW04
- 10 SW05
- 11 SW06
- 12 SW07
- 13 ROW5LED
- 14 ROW6LED
- 15 ROW7LED
- 16 COL0LED
- 17 COL1LED
- 18 COL2LED
- 19 COL3LED
- 20 COL4LED
- 21 COL5LED
- 22 COL6LED
- 23 COL7LED
- 24 FADER0
- 25 FADER1
- 26 FADER2
- 27 FADER3
- 28 FADER4
- 29 FADER5
- 30 FADER6
- 31 FADER7
- 32 EXP+5V
- 33 GND
- 34 +12V
- 35 -12V
- 36 MRXD
- 37 MTXD

J12  
EXPANSION CONNECTOR  
37 WAY D-TYPE

ZONE		DESCRIPTION		ISSUE	DATE	APP'D	FAIRLIGHT INSTRUMENTS	
DATE	JUNE 88	EXPANSION PORT		ISSUE			DRAWING-NO	SHEET-NO
DESIGN BY	S. TYLER						MFX010.041	ONE OF ONE
							4	5
							3	6



J5

- 1 GND
- 2 +5V
- 3 CONTRAST
- 4 DRS
- 5 DRW
- 6 DIS1
- 7 DD0
- 8 DD1
- 9 DD2
- 10 DD3
- 11 DD4
- 12 DD5
- 13 DD6
- 14 DD7

DISPLAY1 CONNECTOR  
14 PIN IDC VERTICAL BOX

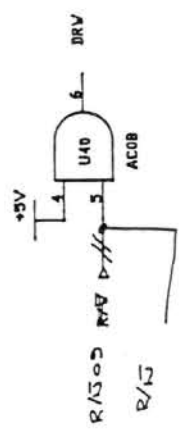
J6

- 1 GND
- 2 +5V
- 3 CONTRAST
- 4 DRS
- 5 DRW
- 6 DIS2
- 7 DD0
- 8 DD1
- 9 DD2
- 10 DD3
- 11 DD4
- 12 DD5
- 13 DD6
- 14 DD7

DISPLAY2 CONNECTOR  
14 PIN IDC VERTICAL BOX

\* J7

- 1 0V
  - 2 -12V
- DISPLAY1 BACKLIGHT  
2 PIN MOLEX VERTICAL
- \* J8
  - 1 0V
  - 2 -12V
- DISPLAY2 BACKLIGHT  
2 PIN MOLEX VERTICAL



ZDHE	DESCRIPTION	ISSUE	DATE	APP'D	FAIRLIGHT INSTRUMENTS	
DATE	TITLE	DRAWING-NO			SHEET-NO	ISSUE
DESIGN BY	JUNE 88 S. TYLER	MF X010.042			ONE OF ONE	ONE OF ONE
		1	2	3	4	5

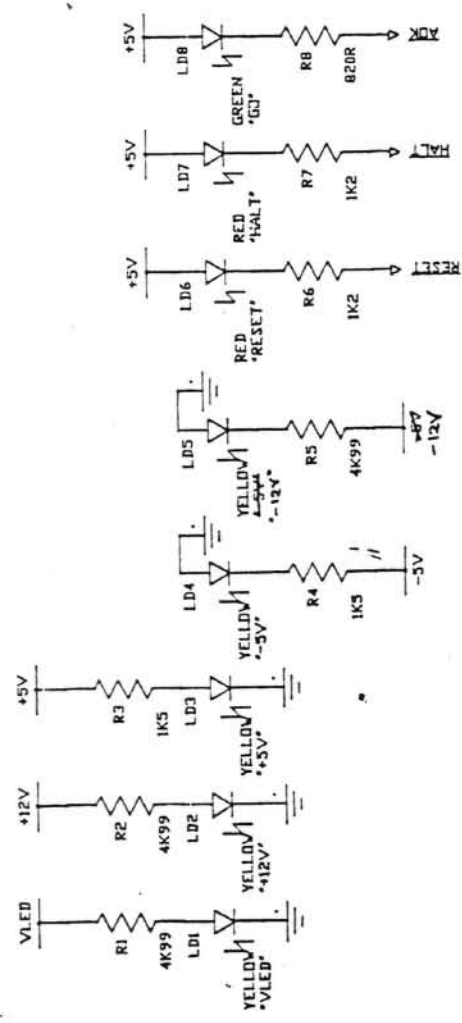
SATCAM

1 2 3 4 5 6

1	A1	36	D12
2	A2	37	D13
3	A3	38	D14
4	A4	39	D15
5	A5	40	N/C
6	A6	41	N/C
7	A7	42	N/C
8	A8	43	N/C
9	A9	44	N/C
10	A10	45	N/C
11	A11	46	N/C
12	A12	47	N/C
13	A13	48	N/C
14	A14	49	N/C
15	A15	50	N/C
16	A16		
17	A17		
18	A18		
19	A19		
20	A20		
21	A21		
22	A22		
23	A23		
24	D0		
25	D1		
26	D2		
27	D3		
28	D4		
29	D5		
30	D6		
31	D7		
32	D8		
33	D9		
34	D10		
35	D11		

FUTURE USE  
50 WAY IDC BOX TYPE  
VERTICAL

J14



LEDS ARE 5mm  
LOW CURRENT (2mA)

FAIRLIGHT INSTRUMENTS

ZONE	DESCRIPTION	ISSUE	DATE	APP'D	DRAWING-NO	SHEET-NO	ISSUE
DATE	JUNE 88	TITLE			MF X010.043	ONE OF ONE	ONE OF ONE
DESIGN BY	S. TYLER						

SATCAMP

2 3 4 5 6

J3

- 1 GND
- 2 N/C
- 3 J0G1
- 4 +5V
- 5 J0G2

J0GGER CONNECTION  
5 PIN MOLEX VERTICAL

J15

W4



MOUSE CONNECTOR  
9 PIN D-TYPE  
BENT MALE

ARRAY OF 1mm HOLES  
2.54mm SPACING  
9 X 3 PATTERN  
(AS SHOWN)

ZONE		DESCRIPTION		ISSUE	DATE	APP'D
DATE	JUNE 88	INCREMENTOR CONNECTORS		GRAVITIG-100		
DESIGN BY	Z. TYLER	FAIRLIGHT INSTRUMENTS		MFX010.044		
				SHEET-100	DINE OF ONE	ISSUE
				1	5	6

SATCAN

1 2 3 4 5 6

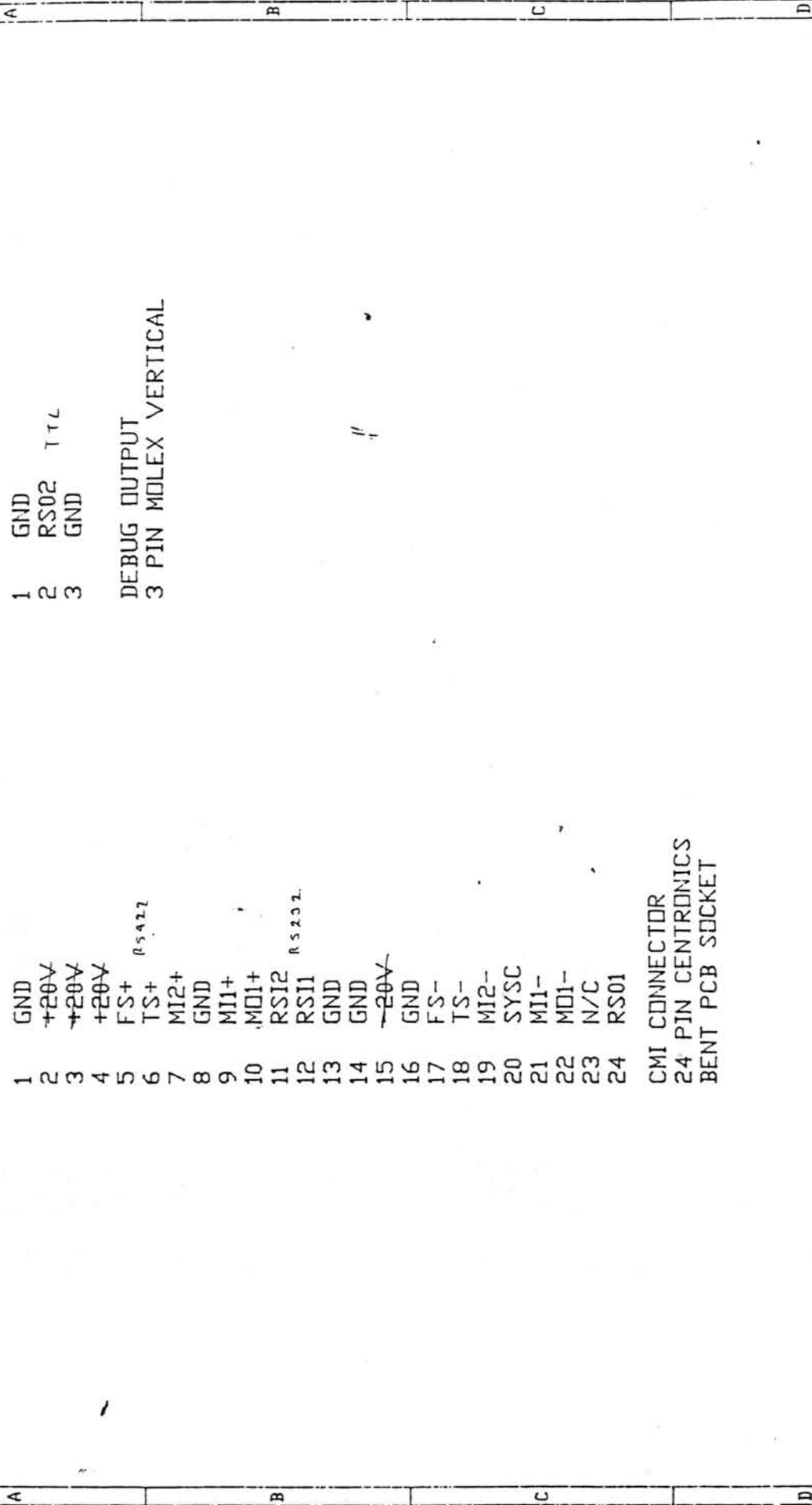
J13

- 1 GND
- 2 +20V
- 3 +20V
- 4 +20V
- 5 FS+ <sup>RS422</sup>
- 6 TS+ <sup>RS422</sup>
- 7 MI2+
- 8 GND
- 9 MI1+
- 10 MDI+
- 11 RS12 <sup>RS232</sup>
- 12 RS11
- 13 GND
- 14 GND
- 15 -20V
- 16 GND
- 17 FS-
- 18 TS-
- 19 MI2-
- 20 SYSC
- 21 MI1-
- 22 MD1-
- 23 N/C
- 24 RS01

CMI CONNECTOR  
 24 PIN CENTRONICS  
 BENT PCB SOCKET

\* J16

- 1 GND
  - 2 RS02 TTL
  - 3 GND
- DEBUG OUTPUT  
 3 PIN MOLEX VERTICAL



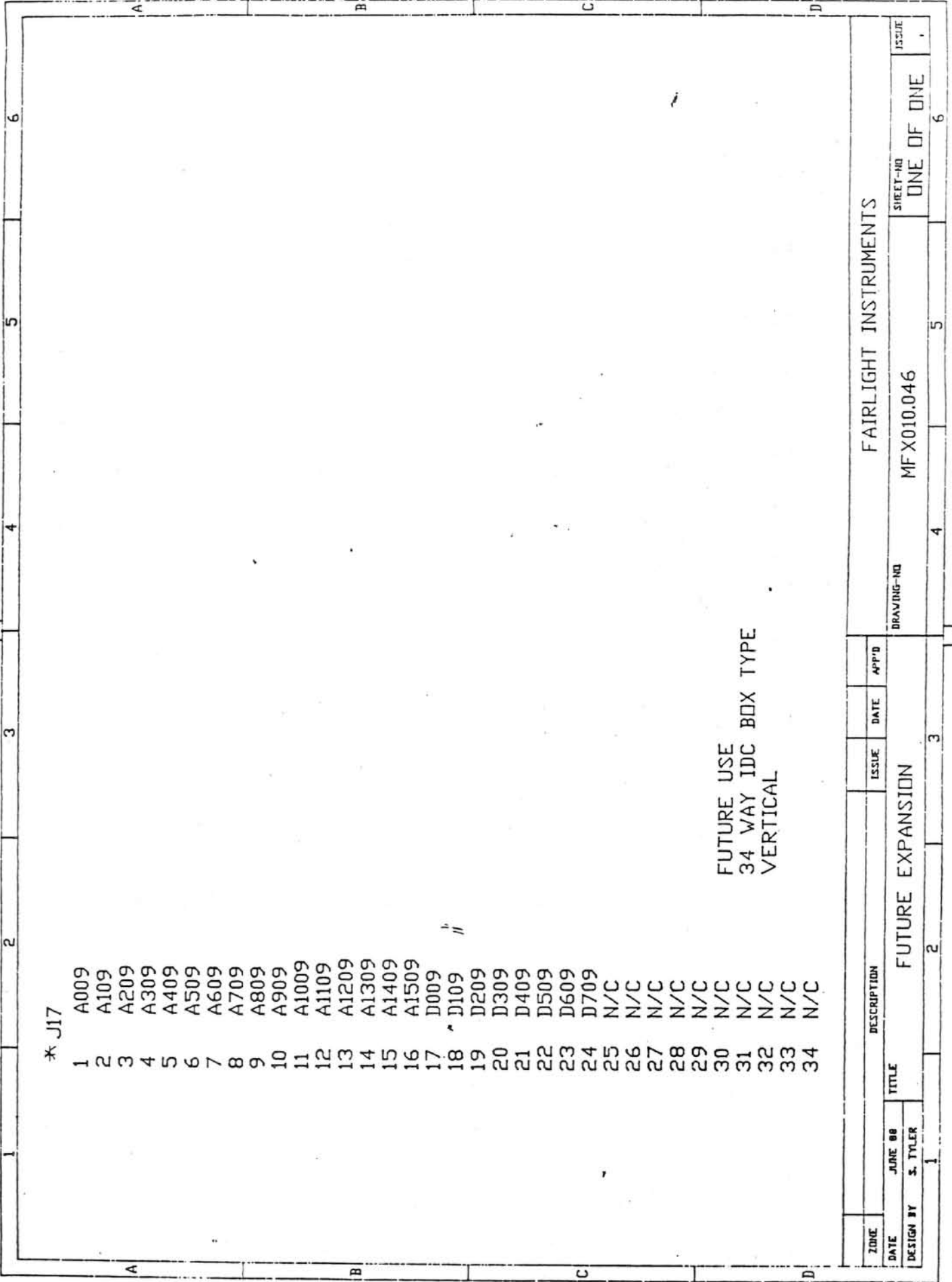
ZONE	DESCRIPTION	ISSUE	DATE	APP'D	FAIRLIGHT INSTRUMENTS 4	
DATE	JUNE 88	TITLE	CMI INTERFACE	DRAWING-NO	MF X010.045	SHEET-NO
DESIGN BY	S. TYLER	1	2	3	4	ONE OF ONE
						6
						ISSUE

(10)

(10)

(10)

SATICAP

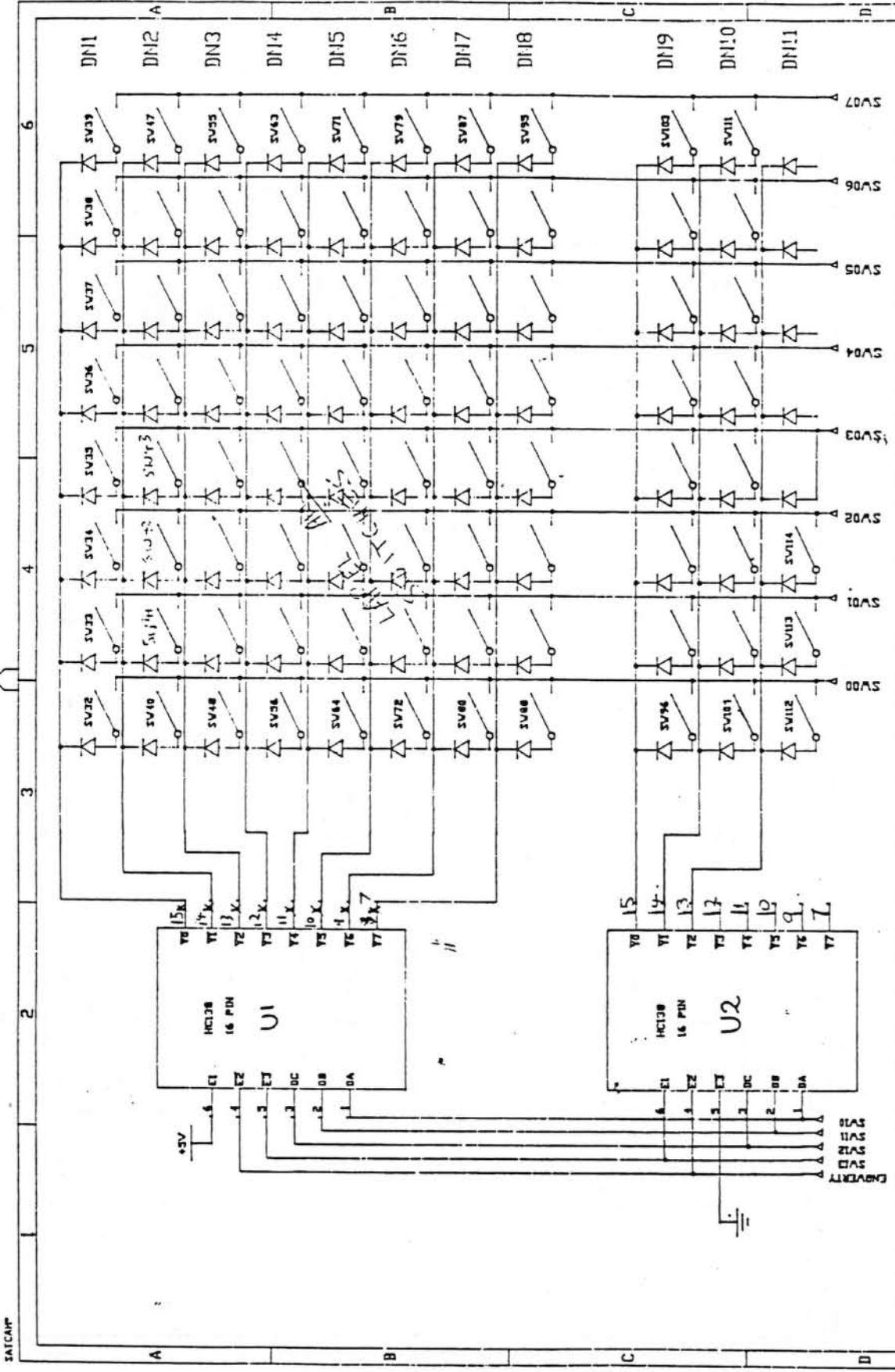


\* J17

- 1 A009
- 2 A109
- 3 A209
- 4 A309
- 5 A409
- 6 A509
- 7 A609
- 8 A709
- 9 A809
- 10 A909
- 11 A1009
- 12 A1109
- 13 A1209
- 14 A1309
- 15 A1409
- 16 A1509
- 17 D009
- 18 D109
- 19 D209
- 20 D309
- 21 D409
- 22 D509
- 23 D609
- 24 D709
- 25 N/C
- 26 N/C
- 27 N/C
- 28 N/C
- 29 N/C
- 30 N/C
- 31 N/C
- 32 N/C
- 33 N/C
- 34 N/C

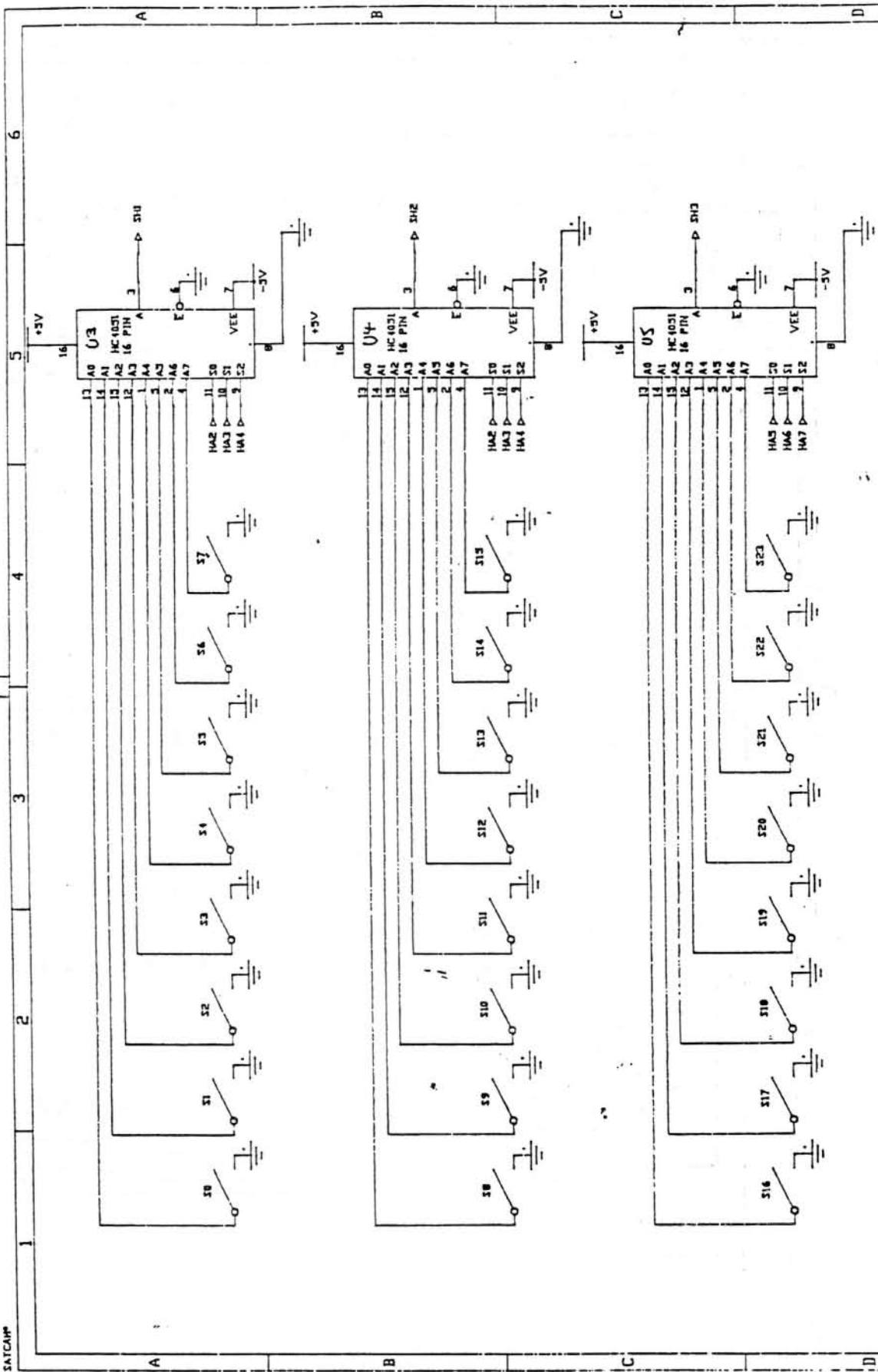
FUTURE USE  
 34 WAY IDC BOX TYPE  
 VERTICAL

ZONE	DESCRIPTION			ISSUE	DATE	APP'D	FAIRLIGHT INSTRUMENTS	
DATE	JUNE 88	TITLE	FUTURE EXPANSION				DRAWING-NO	MFX010.046
DESIGN BY	S. TYLER						SHEET-NO	ONE OF ONE
	1	2	3	4	5	6	ISSUE	



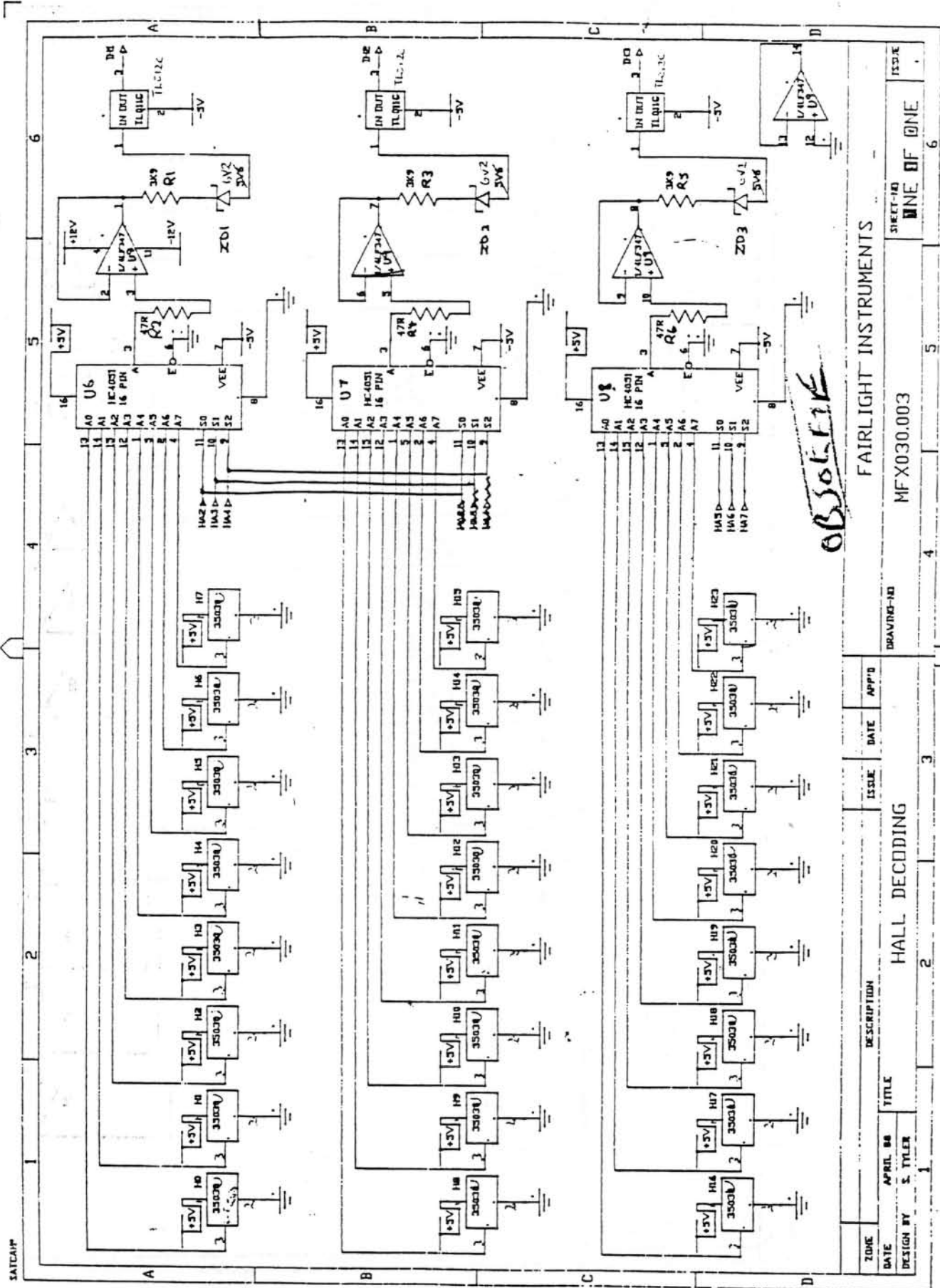
ISSUE		DATE		APP'D		DESCRIPTION		TITLE		ISSUE	
DATE		DATE		APP'D		DESCRIPTION		TITLE		ISSUE	
DESIGN BY		DATE		APP'D		DESCRIPTION		TITLE		ISSUE	
3. TYLER		APRIL 88				QWERTY MATRIX		MFX030.001		ONE OF ONE	
						FAIRLIGHT INSTRUMENTS		MFX030.001		ONE OF ONE	
						GPA/VJ35-10		MFX030.001		ONE OF ONE	
								MFX030.001		ONE OF ONE	

SATCAMP



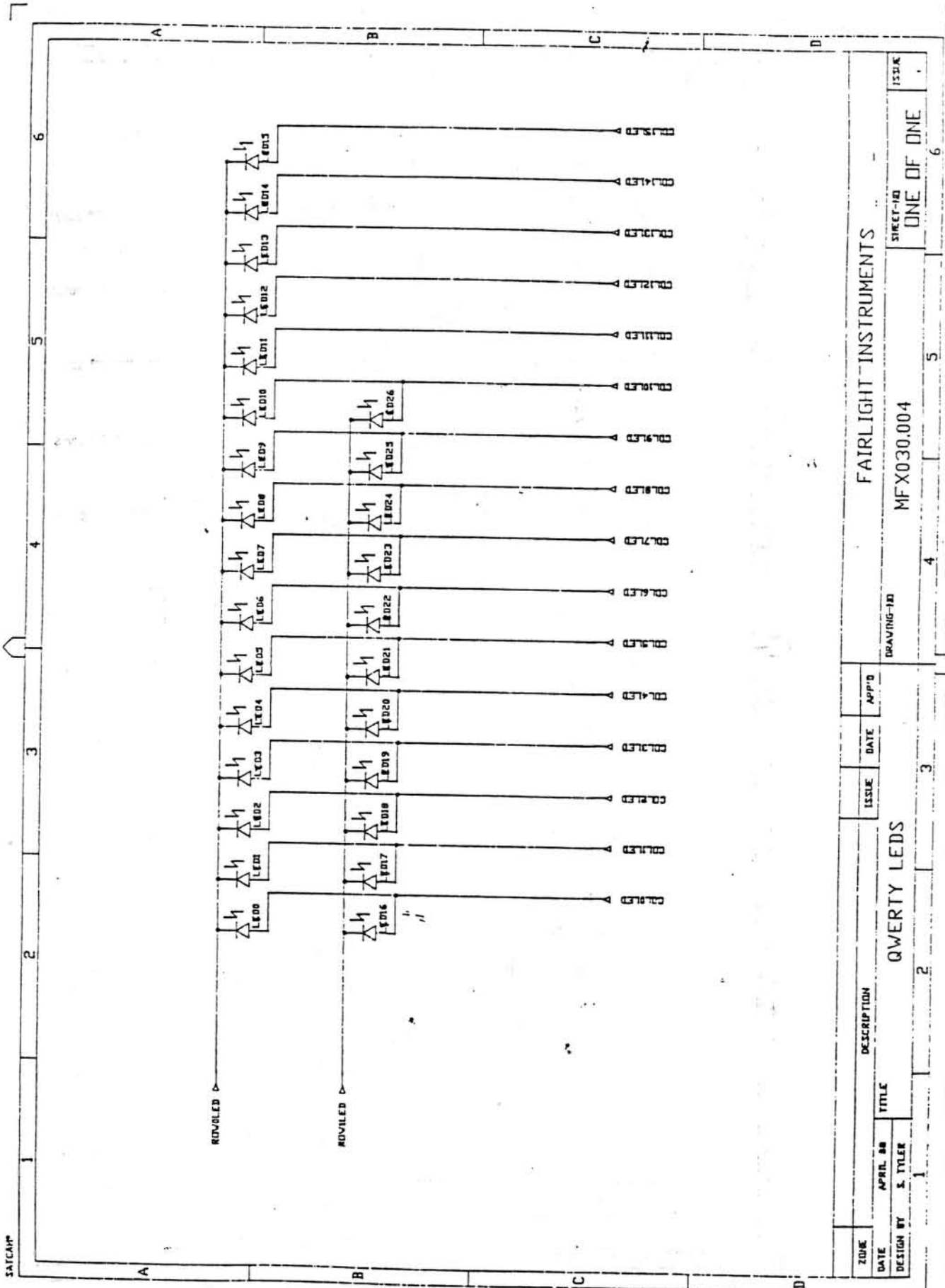
ZONE	DESCRIPTION	ISSUE	DATE	APP'D
DATE	APRIL 88			
DESIGN BY	S. TYLER			
TITLE	HALL SWITCH DECODING			
DRAWING NO.	MFX030.002			
SHEET NO.	ONE OF ONE			
ISSUE				

FAIRLIGHT-INSTRUMENTS



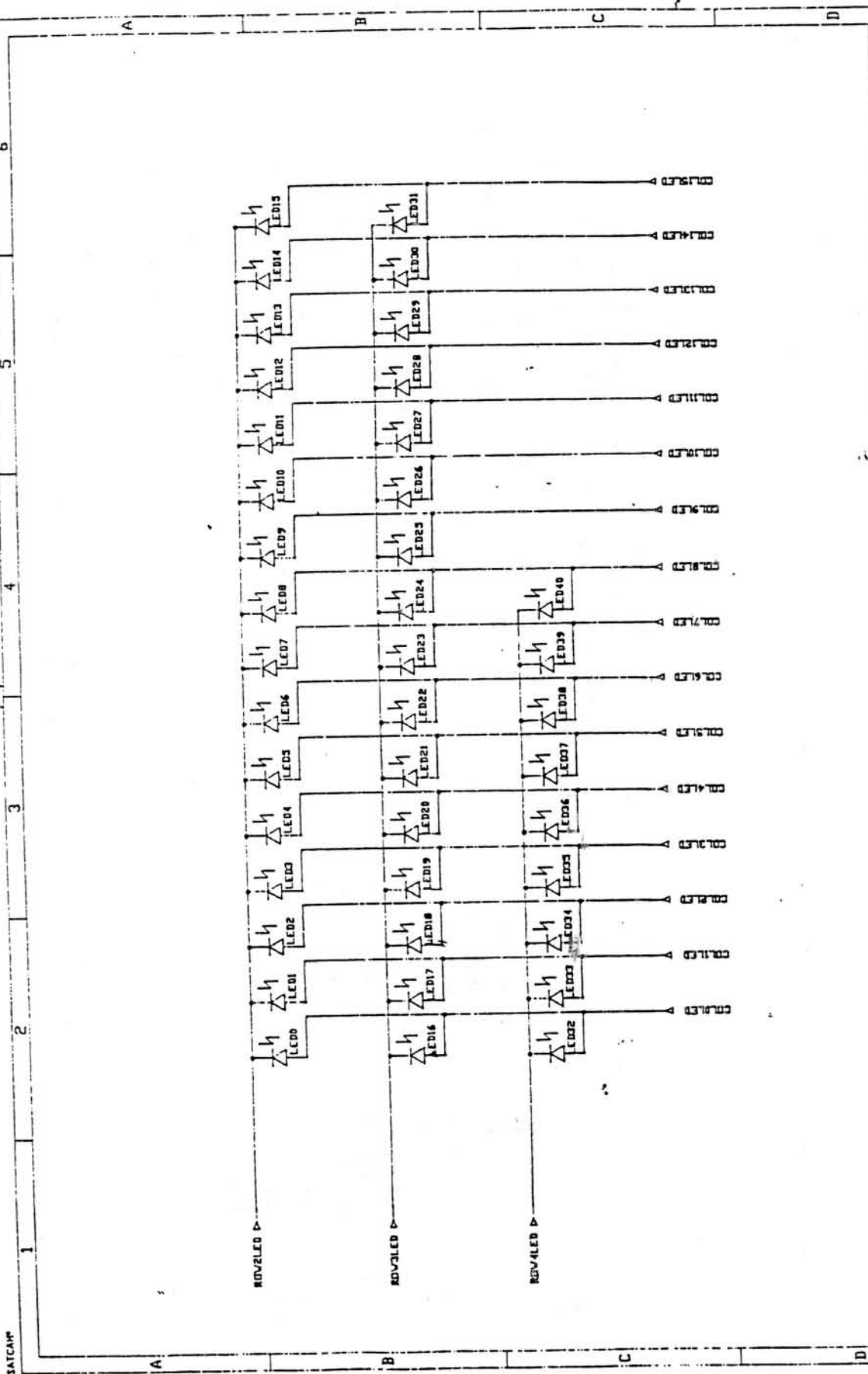
*030611K*

ZONE		DESCRIPTION		ISSUE	DATE	APP'D
DATE		TITLE		DRAWING NO		
DESIGN BY		HALL DECODING		FAIRLIGHT INSTRUMENTS		
APRIL 88		MFX030.003		SHEET NO		
E. TYLER		ONE OF ONE		6		



ZONE		DESCRIPTION		ISSUE		DATE		APP'D		DRAWING-NO		SHEET-NO	
DATE		TITLE		ISSUE		DATE		APP'D		DRAWING-NO		SHEET-NO	
DESIGN BY		E. TYLER		1		3		2		MFX030.004		ONE OF ONE	
1		2		3		4		5		6		6	





ZONE		DESCRIPTION		ISSUE		DATE		APP'D		DRAWING-NO		SHEET-NO		ISSUE	
DATE		TITLE		PANEL LEDES		APRIL 08				MFX040.002		ONE OF ONE		6	
DESIGN BY		S. TYLER												4	
														5	
														6	

FAIRLIGHT INSTRUMENTS