

TO PSIM CONNECTOR J3

AtomPro command is I2CIN P6,P7,Adr,Ctrl,[variable,variable]
 where Ctrl = \$00 to \$03 for R1 to R4, R5 to R8, R9 to R12, and R13 to R16

DJB SuperSequencer

PSIM Sequencer Controls

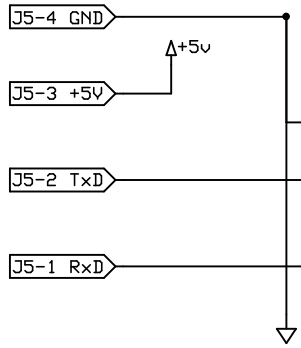
David J. Brown

Rev 0

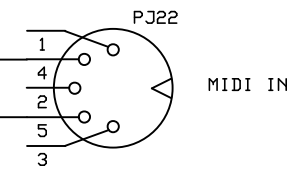
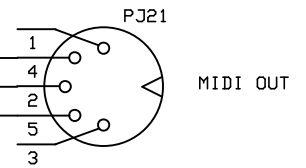
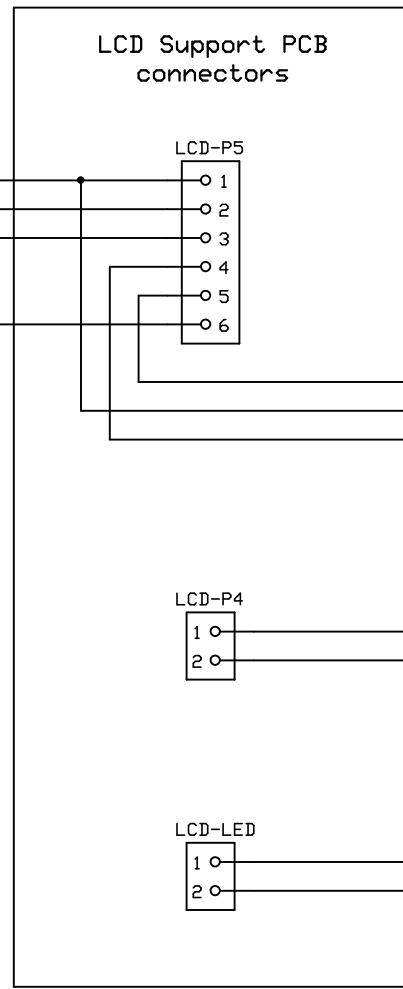
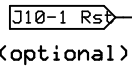
3/2/07

External
Controls

TO PSIM CONNECTOR J5



TO PSIM CONNECTOR J10
(optional)



DJB SuperSequencer		
PSIM Sequencer Controls		
David J. Brown	Rev 0 3/2/07	LCD and MIDI